



## ***Chilled Water Air Conditioning***

### ***Marine Components Price List***

Manufacturer's Suggested Retail Prices (USD)

**Effective Price Date: January 7, 2008**

Prices are subject to change without notice.

This price list supercedes all others.



# Table of Contents - Chiller Section

<b>Chiller Compact (CHC)</b>	
Chiller Compact Modules .....	1
Circulating Water Pump Packages .....	1
Mounting Bases .....	1
Manifold Sets.....	1
DDC Switches (CHC and MCW).....	1
<b>Modular Chilled Water (MCW)</b>	
MCW Modules .....	2
MCW Low Profile .....	3
Mounting Bases .....	4
Manifolds .....	4
Pressure/Temperature Gauges .....	4
CWMC or TWLC Multi Unit Panels.....	4
CWMC Electric Boxes (Off-the-Shelf) .....	5
<b>Compressor Starting Devices</b>	
Frequency Drives .....	6
Single Phase Soft Start .....	6
<b>Pumps and Accessories</b>	
Pumps .....	7
CW Loop Components .....	8
Fill Components .....	8
Loop Strainers .....	8
Seal Kits .....	8
Impellers .....	8
<b>Replacement Parts</b>	
Chiller Components .....	9
Chiller Control Panel & PRP Electrical Components .....	9
Circuit Breakers .....	10
Contactors and Overloads.....	10
Capacitors, Start Relays .....	11
Hudromatic Display Cables .....	11
Hydromatic Service Sensors .....	11
Gauges, Valves & Miscellaneous .....	11
<b>Chilled Water System Worksheets *</b>	
Chiller Compact .....	12
MCW w/DDC .....	13
MCW w/CWMC or TWLC.....	14

**\* Important !!!** The Chilled Water System Worksheets section is designed to help you specify a chilled water system according to your unique requirements. Please familiarize yourself with this section. We suggest that you complete a worksheet before ordering.

**NOTE:**

If you have a time critical situation, please tell us. We will do our best to facilitate your needs. Please do not request SAME DAY SERVICE unless absolutely necessary. For in-stock items, orders received by noon, Eastern Time, will be shipped the following working day. Drop shipped orders are subject to a \$25.00 processing fee.



# Table of Contents - Air Handler Section

## AIR HANDLERS

"AT" Air Handlers with Valves and HV Blower.....	15
"Whisper Cool" AT-DC Air Handlers.....	15
"AT" Air Handlers with Shaded Pole Blowers and Valves .....	16
"AT" Air Handlers with Shaded Pole Blowers and No Valves .....	16
ATV "Vertical" Draw-Through.....	16
ATL Low Profile Draw-Through.....	16
AH-BT Blow Through Air Handlers .....	16
Slim Line Air Handlers .....	17
ABL Air Handlers .....	18

<b>PILOT HOUSE DEFROSTERS</b> .....	18
-------------------------------------	----

<b>FRESH AIR MAKEUP UNITS</b> .....	18
-------------------------------------	----

## CONTROLS

Chilled Water AH-Elite Kits .....	19
Chilled Water AH-Passport I/O Kits .....	19
Alternate Air Sensors .....	19
Outside Air Sensors .....	19
Water Sensors .....	19
Display Cables (FX, AH-PSPRT, PSPRT) .....	19
AH-Elite Bezels .....	20
Chilled Water AH-Passport I/O / AH-Elite Retro-Fit Kits .....	20
AH-Elite and AH-Passport I/O Display & Parts.....	20
AH-Passport Parts (old-style).....	20
FX & FX-MAXX Controls .....	20
Line Voltage Air handler Controls .....	20

## REPLACEMENT PARTS

Blower Assemblies .....	21
Blower Capacitors .....	21
Mount Rings - ABS Plastic .....	21
Valves .....	22
Drain Fittings .....	22
Heater Components & Assemblies.....	22
Filters .....	23

## REFERENCE CHART

R22 Compressor Electrical Specifications .....	25
--	----

## DRAWINGS \*

Pilot House Defroster Signoff (dwg M3020030) .....	26
Air Handler Valve and Blower Orientation (dwg H3050002) .....	27

## POLICY

Product Cancellation Policy .....	28
-----------------------------------	----

### \* Important !!!

Please familiarize yourself with the drawings at the end of this guide before ordering units.

### NOTE:

If you have a time critical situation, please tell us. We will do our best to facilitate your needs. Please do not request SAME DAY SERVICE unless absolutely necessary. For in-stock items, orders received by noon, Eastern Time, will be shipped the following working day. Drop shipped orders are subject to a \$25.00 processing fee.



## **CHILLER COMPACT MODULES**

<b>Item No.</b>	<b>List Price</b>	<b>Description</b>
260110101	\$2,440.00	CHC16-RC, 115/60/1 rotary
260110119	\$2,545.00	CHC16-RC, 115/60/1 rotary, R-407C
260110100	\$2,440.00	CHC16-RCZ, 230/60/1 rotary
260110102	\$2,680.00	CHC16-RCZ50, 220/50/1 rotary
260110120	\$2,785.00	CHC16-RCZ50, 220/50/1 rotary, R-407C
260110103	\$2,835.00	CHC20-RCZ, 230/60/1 rotary
260110124	\$2,940.00	CHC20-RCZ, 230/60/1 rotary, R-407C
260110110	\$2,890.00	CHC20-RCZ, 230/60/1 Switch In Lid
260110104	\$3,465.00	CHC20-SRCZ50, 220/50/1 scroll
260110123	\$3,570.00	CHC20-SRCZ50, 220/50/1 scroll, R-407C
260110105	\$3,465.00	CHC24-SRCZ, 230/60/1 scroll
260110117	\$3,570.00	CHC24-SRCZ, 230/60/1 scroll, R-407C
260110106	\$3,570.00	CHC24-SRCZ50, 220/50/1 scroll
260110118	\$3,885.00	CHC24-SRCZ50, 220/50/1 scroll, R-407C
260110116	\$3,570.00	CHC24-SRC, 230/60/3 scroll
260110122	\$3,885.00	CHC24-SRC, 380/50/3 needs neutral, R-407C

**Note:** CHC16-20 should be sized to 100%, while CHC24 should be sized to 90%, of the total air handler load.

## **CIRCULATING WATER PUMP PACKAGES**

260110505	\$1,625.00	Pump Pkg PMA1000, 115/60/1
260110504	\$1,650.00	Pump Pkg PMA1000C, 230/50-60/1
260110509	\$1,675.00	Pump Pkg PMA1000CK, 240/50/1
260110501	\$1,605.00	Pump Pkg P120, 115/60/1
260110502	\$1,605.00	Pump Pkg P120Z, 230/50-60/1
260110506	\$1,715.00	Pump Pkg P700Z, 230/50-60/1
291622368	\$210.00	Pump Discharge Assy, For 1" manifold
297500030	\$220.00	Pump Discharge Assy, For 1.25" manifold

### **Notes:**

*Includes pump, drain pan, fill assembly w/press. regulatore, PVC expansion tank, press. gauge, and hosebarbs.*

*Do not use pump package with a Spirovent!*

## **CHILLER COMPACT MOUNTING BASES**

291700448	\$796.00	2 CHC16 or 20@60HZ without Pmp Pkg
291700219	\$950.00	2 CHC16 or 20@60HZ & LEFT Pmp Pkg
291700377	\$950.00	2 CHC16 or 20@60HZ & RIGHT Pmp Pkg
291700319	\$805.00	2 CHC20@50HZ or 24 without Pmp Pkg
291700191	\$950.00	2 CHC20@50HZ or 24 & Pmp Pkg
291700200	\$838.00	3 CHC16 or 20@60HZ without Pmp Pkg
291700191	\$950.00	3 CHC20@50HZ or 24 without Pmp Pkg
291700178	\$1,135.00	3 CHC20@50HZ or 24 & Pmp Pkg
291700178	\$1,135.00	4 CHC20@50HZ or 24 without Pmp Pkg

## **CHILLER COMPACT MANIFOLD SETS (Copper CW & PVC SW)**

297500064	\$1,050.00	2 CHC16 or 2 CHC20@60HZ (1.00")
297500065	\$1,030.00	2 CHC20@50HZ or 2 CHC24 (1.00")
297500057	\$1,595.00	3 CHC16 or 3 CHC20@60HZ (1.25")
297500056	\$1,595.00	3 CHC20@50HZ or 3 CHC24 (1.25")
297500049	\$2,275.00	4 CHC20@50HZ or 4 CHC24 (1.50")

## **DDC SWITCHES - For stand-alone CHC or MCW modules**

263600104	\$135.00	1S DDC remote switch, 25' harness
263600107	\$270.00	2S DDC remote switch, 25' harness
263600128	\$470.00	2S DDC remote switch in box, 25' harness
263600108	\$310.00	3S DDC remote switch, 25' harness
263600114	\$350.00	4S DDC remote switch, 25' harness
263600134	\$500.00	5S DDC remote switch, 50' harness

## MCW MODULES (Reverse Cycle)

DDC Module			DDC	Multi Stage	
Item No.	Model	Description	Power	List Price USD	List Price USD
260127302	MCW24	2 ton scroll R407C	220/50/1	\$6,315.00	\$5,515.00
tdb	MCW24	2 ton scroll	230/60/1	\$5,990.00	\$5,140.00
260127300	MCW24	2 ton scroll R407C	230/60/1	\$6,210.00	\$5,410.00
tdb	MCW24	2 ton scroll	230/60/3	\$6,100.00	\$5,240.00
tdb	MCW36	3 ton scroll	220/50/1	\$6,300.00	\$5,450.00
260127312	MCW36	3 ton scroll R407C	220/50/1	\$6,530.00	\$5,730.00
260121311	MCW36	3 ton scroll	230/60/1	\$6,210.00	\$5,410.00
260127311	MCW36	3 ton scroll R407C	230/60/1	\$6,420.00	\$5,620.00
tdb	MCW36	3 ton scroll	230/60/3	\$6,200.00	\$5,350.00
260127363	MCW36	3 ton scroll R407C	230/60/3	\$6,420.00	\$5,620.00
260121320	MCW48	4 ton scroll	220/50/1	\$7,280.00	\$6,480.00
260127320	MCW48	4 ton scroll R407C	220/50/1	\$7,385.00	\$6,585.00
260121321	MCW48	4 ton scroll	230/60/1	\$7,170.00	\$6,370.00
260127321	MCW48	4 ton scroll R407C	230/60/1	\$7,385.00	\$6,585.00
260121319	MCW48	4 ton scroll	230/60/3	\$7,170.00	\$6,370.00
260127319	MCW48	4 ton scroll R407C	230/60/3	\$7,385.00	\$6,585.00
tdb	MCW48	4 ton scroll	460/60/3	\$7,275.00	\$6,425.00
260121318	MCW48	4 ton scroll	380/50/3 w/N	\$7,280.00	\$6,480.00
260127316	MCW48	4 ton scroll R407C	380/50/3 NN	\$7,920.00	\$7,120.00
260121330	MCW60	5 ton scroll	230/60/1	\$7,705.00	\$6,905.00
260121329	MCW60	5 ton scroll Lid	230/60/1	\$7,815.00	\$7,015.00
260121331	MCW60	5 ton scroll	230/60/3	\$7,705.00	\$6,905.00
260127331	MCW60	5 ton scroll R407C	230/60/3	\$7,920.00	\$7,120.00
260121343	MCW60	5 ton scroll	380/50/3 w/N	\$7,920.00	\$7,120.00
260127343	MCW60	5 ton scroll R407C	380/50/3 w/N	\$8,135.00	\$7,335.00
tdb	MCW60	5 ton scroll	460/60/3	\$7,900.00	\$7,060.00
260121340	MCW72	6 ton scroll	230/60/3	\$8,560.00	\$7,760.00
260127340	MCW72	6 ton scroll R407C	230/60/3	\$8,990.00	\$8,190.00
260121339	MCW72	6 ton scroll Lid	230/60/3	\$8,670.00	\$7,870.00
260121346	MCW72	6 ton scroll	460/60/3	\$9,095.00	\$8,295.00
260121384	MCW72	6 ton scroll	380/50/3 w/N	\$10,700.00	\$9,900.00
260127384	MCW72	6 ton scroll R407C	380/50/3 w/N	\$10,915.00	\$10,115.00
260121376	MCW72	6 ton scroll	380/50/3 NN	\$10,865.00	\$10,065.00
260121370	MCW90	7.5 ton scroll	230/60/3	\$11,665.00	\$10,865.00
260127399	MCW90	7.5 ton scroll R407C	380/50/3 w/N	\$12,520.00	\$11,720.00
tdb	MCW90	7.5 ton scroll	460/60/3	\$11,770.00	\$10,900.00
tdb	MCW120	10 ton scroll	230/60/3	\$14,100.00	\$13,475.00
tdb	MCW120	10 ton scroll	380/50/3 w/N	\$14,350.00	\$13,890.00
tdb	MCW120	10 ton scroll	460/60/3	\$14,300.00	\$13,480.00
n/a	MCW150	12.5 ton scroll	230/60/3		\$16,580.00
n/a	MCW150	12.5 ton scroll	460/60/3		\$16,800.00
n/a	MCW150	12.5 ton scroll	380/50/3 w/N		\$17,300.00
n/a	MCW180	15 ton scroll	230/60/3		\$17,450.00
n/a	MCW180	15 ton scroll	380/60/3 <sup>(1)</sup>		\$18,700.00
n/a	MCW180	15 ton scroll	460/60/3		\$17,600.00

<sup>(1)</sup> 15 ton scroll compressor requires 20HP frequency drive for 380/50/3 operation.

"w/N" = with Neutral - neutral leg must be available on 380/50/3 power supply.

"NN" = No Neutral. 380V power supply has no neutral leg available, transformer added.

"w/FD" = with Frequency Drive included, power supply as shown, compressor is 3 phase.

**MCW-LP 'Low Profile' Chillers**

DDC Module				DDC	Multi Stage
Item No.	Model	Description	Power	List Price USD	List Price USD
260121911	MCWLP-3T	3-Ton Scroll	230/60/1	\$7,705.00	\$6,905.00
260121919	MCWLP-4T	4-Ton Scroll	230/60/3	\$8,670.00	\$7,870.00
260121930	MCWLP-5T	5-Ton Scroll	230/60/1	\$9,205.00	\$8,405.00
tbd	MCWLP-5T	5-Ton Scroll, R-417A	230/60/1	\$9,300.00	\$8,300.00
260121931	MCWLP-5T	5-Ton Scroll	230/60/3	\$9,205.00	\$8,405.00
tbd	MCWLP-5T	5-Ton Scroll, R-417A	380/50/3 w/N	\$9,500.00	\$8,660.00

**MCW Options:**

- DDC Switch in lid, add \$90 per stage
- Cooling Only MCW Chillers, deduct \$100 per stage
- Compressor Sound Blanket: \$375 each

**Notes for MCW Chillers**

1. DDC modules are "Stand Alone", single stage MCW chillers with DDC controls, one electrical box per stage. These modules can be staged together to the required total capacity. Each module requires a dedicated circuit breaker in the ship's A/C panel.
2. Multi-Stage modules are not sold individually. These modules are part of a multi-staged system with a single multi-unit "welded" control panel containing CWMC or TWLC controls & one circuit breaker per stage.
3. For 380/460V DDC "stand-alone" modules that do not have 115V or 230V available (either separate control power feed or a neutral), add \$175 per stage for a transformer that will be included in the DDC box. Modules with "NN" in the description already have the transformer.

**Compressor Electrical Notes:**

- 1) Compressor electrical data are nominally rated at the Volt/Hz/Ph listed, and can be operated in the following ranges: 230/60/1 compressors are rated for 208-230/60/1; 220/50/1 comps for 220-240/50/1; 230/60/3 comps for 208-230/60/3; 220/50/3 comps for 200-220/50/3; 380/50/3 comps for 380-420/50/3; and 460/60/3 comps for 440-480/60/3 and 380-420/50/3. These compressors can usually be run at +/-10% of the rated voltage, with these exceptions: 208-230/60/1 -5/+10% for a range of 198-253; and 220-240/50/1 -5/+10% for a range of 209-264. For more information regarding compressor voltages, refer to field notice FNR#192-B3-C on the Dometic Customer News Website.
- 2) Dual 50/60Hz Operation: If there is a need for a system to be able to run in both 50Hz and 60Hz environments, the best solution is to use a VFD. Make sure the pumps are rated 50/60Hz, but sized to provide enough flow at 50Hz.

## MCW CHILLER BASES

# of Stages	2-6 ton	7-10 ton	12-15 ton
2	\$730	\$840	\$1,050
3	\$840	\$1,000	\$1,275
4	\$950	\$1,150	\$1,475
5	\$1,050	\$1,300	\$1,675

*Note: Use 7-10 ton base price for 50hz 6-ton chillers*

## MCW CHILLER MANIFOLDS SETS

Chiller Tons	Manifold Size	# of Stages	Manifold Set	Dual Feed add per Set
4 - 10	1.5"	2	\$1,750	\$110
4 - 10	1.5"	3	\$1,900	\$110
4 - 10	1.5"	4	\$1,950	\$110
11 - 18	2.0"	2	\$1,975	\$160
11 - 18	2.0"	3	\$2,225	\$160
11 - 18	2.0"	4	\$2,475	\$160
11 - 18	2.0"	5	\$2,725	\$160
19 - 33	2.5"	2	\$2,700	\$270
19 - 33	2.5"	3	\$3,050	\$270
19 - 33	2.5"	4	\$3,400	\$270
19 - 33	2.5"	5	\$3,750	\$270
34 - 50	3.0"	3	\$3,700	\$325
34 - 50	3.0"	4	\$4,300	\$325
34 - 50	3.0"	5	\$4,900	\$325

The manifold set includes:

- Inlet and outlet CW manifolds, insulated copper
- Inlet and outlet SW manifolds, PVC, with cleanout plug at opposite end of manifold connection
- FPT connections at one end of manifold

Manifolds are part of a multi-stage chiller system and are not sold separately.

Call for pricing on vertical frames and manifolds.

The Dual-Feed option allows connection at either side of manifold; both sides will have an FPT connection, with a plug in one end.

## PRESSURE/TEMPERATURE GAUGES

Item No.	List Price	Description
263600110	\$330.00	Pressure/Temperature Gauge Kit Panel
263600125	\$420.00	Pressure/Temperature Gauge Kit Box
263600080	\$130.00	Pressure gauge only in panel w/5' tube
330127	\$49.00	Probe well for temperature gauge sensor CW

*Note: Press/Temp Gauge kit has 1 press. gauge for return water, and 2 temp gauges for supply and return water.*

*Purchase probe well #330127 if buying gauge panel or box separately from manifolds.*

## CWMC or TWLC Multi-Unit Panels

# of Stages	208-230V 1 & 3ph	380-460V 3ph
2	\$8,200	\$8,500
3	\$9,350	\$9,650
4	\$10,500	\$10,800
5	\$11,650	\$11,950
6	\$12,800	\$13,100

Prices shown include circuit breakers and relays for compressors, and CW and SW pumps, and 15ft harness.

For longer harness, add \$17 per foot, per stage.

380-460V panels include a transformer for control power.

See Custom Multi-Unit Control Panel quote request sheet

for more information. Part number will be issued after order.

## Multi-Unit Panel Modifications and Options

\$360	1Ph Spare Pump Selector Switch
\$420	3Ph Spare Pump Selector Switch
\$525	Dual power input (split-bus)
\$225	Dual doors (wide panels)
\$225	Mount panel on chiller frame
\$360	CWMC Refrigerant Press. Transducer
\$310	CWMC Water Press. Transducer
\$410	TWLC Refrigerant Press. Transducer
\$625	TWLC Water Press. Transducer
\$110	TWLC Current Transducer

For remote CWMC/TWLC operation, order a second display and a long communication cable (or CNP cable for TWLC).

## **CWMC-OTS Electric Boxes (Chilled Water Master Control "Off the Shelf")**

This electric box can be used with 2 to 6 stage MCW chillers with DDC controls as either a field retrofit (see notice below) or it can be ordered with a new chiller. The box contains the CWMC circuit board, SW & CW pump contactors (and overloads if 3 ph), a term. block for pump & power connections, and the CWMC display in the lid. Circuit breakers are not included.

**Order parts from the lists below to create a complete CWMC-OTS box & harness assembly.**

<b>Item No.</b>	<b>List Price</b>	<b>Description</b>
263600141	\$1,600.00	Single phase CWMC-OTS box with two 230VAC pump contactors.
263600142	\$1,600.00	Single phase CWMC-OTS box with two 115VAC pump contactors.
NPN	\$1,800.00	Three phase CWMC-OTS box with two 230VAC pump contactors.*
NPN	\$1,800.00	1ph CWMC-OTS box for dual pumps w/230VAC contactors & switches.
NPN	\$1,800.00	1ph CWMC-OTS box for dual pumps w/115VAC contactors & switches.

### **Notes:**

Box dimensions: Standard is 14"Hx12"Wx4.7"D, add 1 or 2 pumps and dimensions are 11"Hx15"Wx4.7"D.

\*Need to specify 3 phase pump volts & amps and/or horsepower when ordering 3 phase boxes.

Note: 380-460VAC power supplied chillers should use the 230VAC pump contactor OTS boxes.

### **CWMC Communication Cables**

222102305	\$28.00	7' comm. cable
222102310	\$50.00	10' comm. cable
222102320	\$60.00	20' comm. cable
222102340	\$86.00	40' comm. cable
222102365	\$120.00	65' comm. cable

**Important Notice:** CWMC is not compatible with DDC boards prior to version A23. The version is displayed on the DDC board when it is turned on.

**Note:** One comm. cable needed for each DDC board - to connect to CWMC.

### **DDC/CWMC Water Sensors**

334024	\$34.00	24" water sensor (used on CHC)
331438	\$44.00	10' water sensor
333973	\$57.00	20' water sensor

**Note:** One water sensor needed for the system, installed close to common outlet of chiller (or heater barrel).

### **Probe Well Assembly Tee to hold water sensor - for retrofits or if customer is building new manifold.**

297700671	\$152.00	1.5" SCH80 PVC
297700672	\$165.00	2.0" SCH80 PVC
297700673	\$320.00	2.5" SCH80 PVC
297700676	\$40.00	Copper probe well (braze-in)

**Note:** Probe wells not needed for chillers with factory supplied manifolds.

## Variable Frequency Drives & RFI Filters

Nominal HP	Comp Voltage	Max AMP Rating		VFD 31		RFI Filters (class B EMC)	
		3-Ph In	1-Ph In	Item No.	List Price	Item No.	List Price
5HP	208-230V	17.5	10.1	263250104	\$1,780	763300002	\$600
7.5HP	208-230V	27.5	15.9	263250105	\$2,340	763300003	\$600
10HP	208-230V	33.0	19.1	263250106	\$2,790	763300003	\$600
15HP	208-230V	54.0	31.2	263250110	\$4,150	763300004	\$910
20HP	208-230V	66.0	38.1	263250111	\$5,150	763300004	\$910
5HP	380-460V	9.5	-	263250108	\$2,250	763300002	\$600
7.5HP	380-460V	14.3	-	263250112	\$2,950	763300003	\$600
10HP	380-460V	17.0	-	n/a		763300003	\$600
15HP	380-460V	27.7	-	263250109	\$4,470	763300005	\$750
20HP	380-460V	33.0	-	n/a		763300005	\$750

### How to choose the correct Frequency Drive

- 1) Compressor must be 3 phase.
- 2) Multiply the chiller's reverse cycle amps by 1.1 (10% safety factor).
- 3) Choose freq drive from the Comp Voltage and Max AMP Rating columns depending on compressor voltage and the phase of the input power supply, respectively.
- 4) When buying a drive separately from a chiller system (i.e., a replacement), the customer must specify the input power supply voltage & phase and compressor voltage & frequency.

#### Notes :

230VAC VFDs are programmed for 60Hz output so that full capacity is realized even with 50Hz input power.

380/50/3 VFDs have 50Hz output, so use MTC "ECK" units.

The Square D/Telemecanique Altivar 31 VFDs incorporate a Class A EMC filter into their design. This helps prevent high frequency noise and harmonic distortions from affecting the AC power supply.

If the application or power system requires lower noise/distortion, then the Class B EMC filters can be added.

### SINGLE PHASE SOFT START - FOR SCROLL COMPRESSORS UP TO 5 TONS ONLY

Reduce peak starting amps for single phase Scroll compressors: 30% for 3 ton, 20% for 4 ton, and 10% for 5 ton. Reduce dimming lights and beeping UPS problems due to drop in voltage at startup.

<u>Item No.</u>	<u>List Price</u>	<u>Description</u>
4220019	\$1,185.00	SOFT START 208-230/1, Din-Rail Mounted

### PUMP RELAY PANELS

224110040	\$230.00	Two stage PRP, 1phase, 115V/230V
224110050	\$269.00	Two to six stage PRP, 1phase, 115V/230V
custom built	\$660.00	Two to six stage PRP, 3 phase*
*Need to specify 3 phase pump volts & amps and/or horsepower when ordering a 3 phase PRP.		
263600145	\$50.00	Dual (redundant) SW pump switch asy, single phase

## PUMPS AND ACCESSORIES

### PUMPS, CW & SW

Part Number	Model	Volt/Hz/Ph	Impeller			Ref #	In X Out (NPT)	Weight (lbs/kg)	List Price
			Diameter	HP	Amp				
225500001	P100	115/60/1	2.5"	1/3	5.5	67	1.25 X 1	25/11	\$999.00
225500072	P100Z	230/50-60/1	2.5"	1/3	2.8	67	1.25 X 1	25/11	\$999.00
225500071	P110	230/50-60/3	2.75"	1/2	2.8	72	1.25 X 1	30/14	\$1,285.00
225500101	P120	115/60/1	3"	1/3	5.5	67	1.25 X 1	25/11	\$1,030.00
225500102	P120Z	230/50-60/1	3"	1/3	2.8	67	1.25 X 1	25/11	\$1,030.00
225500119	PS700Z	230/50-60/1	3.5"	1/2	4.0	N/A	1.25 X 1	25/11	\$1,605.00
225500090	P700	115/60/1	3.5"	1/3	5.5	67	1.25 X 1	26/12	\$1,030.00
225500066	P700Z	230/50-60/1	3.5"	1/3	2.8	67	1.25 X 1	26/12	\$1,030.00
225500062	P700	230/50-60/3	3.5"	1/2	2.8	72	1.25 X 1	30/14	\$1,285.00
225500012	P700	460/50-60/3	3.5"	1/2	1.4	72	1.25 X 1	30/14	\$1,285.00
225500011	P700	380/50/3	3.75"	1/2	1.7	72	1.25 X 1	30/14	\$1,285.00
225500010	P710	115/60/1	3.5"	1/2	9.8	78	1.5 X 1.5	34/15	\$1,395.00
225500059	P710	230/50-60/1	3.5"	1/2	4.9	78	1.5 X 1.5	34/15	\$1,395.00
225500033	P710	220/50/1	4"	3/4	7.2	78	1.5 X 1.5	34/15	\$1,460.00
225500082	P710	230/60/3	3.5"	1/2	2.2	78	1.5 X 1.5	34/15	\$1,395.00
225500028	P710	460/50-60/3	3.5"	1/2	1.1	78	1.5 X 1.5	34/15	\$1,395.00
225500031	P710	220/50/3	4"	3/4	3.3	78	1.5 X 1.5	34/15	\$1,460.00
225500032	P710	380/50/3	4"	3/4	1.9	78	1.5 X 1.5	34/15	\$1,460.00
225500009	P711	115/50-60/1	4"	1.0	16	78	1.5 X 1.5	37/17	\$1,500.00
225369928	P711	230/50-60/1	4"	1.0	8.0	78	1.5 X 1.5	37/17	\$1,500.00
225500083	P711	230/60/3	4"	1.0	4.2	78	1.5 X 1.5	37/17	\$1,500.00
225500029	P711	460/50-60/3	4"	1.0	2.1	78	1.5 X 1.5	37/17	\$1,500.00
225500121	P711Z	230/60/1	4.25"	1.5	10	78	1.5 X 1.5	49/22	\$1,885.00
225500178	P711Z	220/50/1	4.5"	1.5	10.5	78	1.5 X 1.5	49/22	\$1,885.00
225500211	P711	380/50/3	4.5"	1.5	3.6	78	1.5 X 1.5	49/22	\$1,885.00
225500030	P711	380/50/3	4.75"	1.5	3.6	78	1.5 X 1.5	49/22	\$1,885.00
334968	P715 CW	230/60/1	4"	1.5	10	17	2 X 2	85/39	\$3,105.00
225500154	P715 CW	230/60/3	4"	1.5	6.0	17	2 X 2	85/39	\$3,170.00
225500135	P715 SW	230/60/3	4"	1.5	6.0	162	2 X 2	85/39	\$3,490.00
225500136	P715 SW	460/50-60/3	4"	1.5	3.0	162	2 X 2	85/39	\$3,490.00
225500157	P715 CW	380/50/3	4.5"	1.5	3.6	17	2 X 2	85/39	\$3,170.00
225500138	P715 SW	380/50/3	4.5"	1.5	3.6	182	2 X 2	85/39	\$3,490.00
225500158	P715 CW	230/60/3	4.5"	2.0	6.8	17	2 X 2	93/42	\$3,385.00
225500159	P715 CW	460/50-60/3	4.5"	2.0	3.4	17	2 X 2	93/42	\$3,305.00
225500140	P715 SW	460/50-60/3	4.5"	2.0	3.4	182	2 X 2	93/42	\$3,810.00
225500160	P715 CW	220/50/3	4.75"	2.0	7.1	17	2 X 2	93/42	\$3,490.00
225500161	P715 CW	380/50/3	4.75"	2.0	4.1	17	2 X 2	93/42	\$3,490.00
225500141	P715 SW	220/50/3	4.75"	2.0	7.1	162	2 X 2	93/42	\$3,920.00
225500142	P715 SW	380/50/3	4.75"	2.0	4.1	162	2 X 2	93/42	\$3,920.00
225500162	P715 CW	230/60/3	4.5"	3.0	9.6	206	2.5 X 2.5	98/44	\$4,560.00
225500134	P715 SW	460/50-60/3	4.5"	3.0	4.8	186	2.5 X 2.5	98/44	\$4,670.00
225500165	P715 CW	380/50/3	4.75"	3.0	5.8	121	2.5 X 2.5	98/44	\$4,560.00
225500145	P715 SW	380/50/3	4.75"	3.0	5.8	186	2.5 X 2.5	98/44	\$4,670.00
225500169	P715 CW	380/50/3	5.13"	5.0	9.2	206	2.5 X 2.5	120/54	\$4,880.00
225500171	P715 CW	460/60/3	5.12"	7.5	11.0	121	2.5 X 2.5	127/58	\$5,205.00

#### Notes:

1. See back of price book for pump application guidelines.
2. CW pumps must not be used for seawater. However, SW pumps can be used for CW.
3. 50Hz pumps must not be operated at 60Hz. However, 50-60Hz pumps can be operated at 50hz, but performance will drop significantly.
4. 1/2HP and smaller 1ph pumps can be operated directly from DDC board. Larger pumps must use a pump relay with a dedicated circuit breaker.

## CW Loop Components

### Expansion Tanks

<u>Item No.</u>	<u>List Price</u>	<u>Description</u>
1063515	\$124.00	Exp Tank, 2 gal, up to 30-tons, 1/2" MPT
263400200	\$220.00	Exp. Tank, w/mounting bracket, 2-gal, up to 30-tons
1063530	\$206.00	Exp Tank, 4.4 gal, up to 60-tons, 1/2" MPT
1063560	\$313.00	Exp Tank, 7.6 gal, up to 100-tons, 1/2" MPT
263400201	\$400.00	Exp. Tank, w/mounting bracket, 7.6-gal, up to 100-tons

**Note:** Select tank based on total air handler capacity.

### Fill Components

334758	\$148.00	Press Regulator, 12-psi, 1/2" FPT, with Fast-Fill (use with Backflow prev.)
335225	\$535.00	Backflow Preventer (Reduced Press Zone) 1/2" FPT, with valves.
263400101	\$225.00	HWRV Fill Assembly, 1/2" FPT, Press. Reducer & Fill Valve.
330548	\$162.00	Press Reducing Valve, 12psi, 1/2" FPT (use with Backflow preventer).

### Automatic Air Vents

334152	\$148.00	1/2" Spirotop (install at high points in CW system)
334132	\$332.00	1-1/4" inline Spirovent, 15gpm (60k BTU/hr)X
334151	\$477.00	1-1/2" inline Spirovent, 30gpm (120k BTU/hr)X
297700297	\$2,680.00	DSV2/240 Dual Spirovent, 2" FPT, 60gpm (240k BTU/hr)

### Loop Y-Strainers

1010012	\$218.00	"Y" Strainer, Bronze, 1 1/4" FPT
335345	\$307.00	"Y" Strainer, Bronze, 1 1/2" FPT
335404	\$477.00	"Y" Strainer, Bronze, 2" FPT
335263	\$795.00	"Y" Strainer, Bronze, 2 1/2" FPT
335264	\$795.00	"Y" Strainer, Bronze, 3" FPT

### Pump Parts

#### Seal Kits

335216	\$50.00	Seal Kit for PS700(Z)
333990	\$68.00	Seal Kit, Pump #s 67-68 (PS1500-2200BX)
330071	\$85.00	Seal Kit, Pump #s 72, 78
333169	\$217.00	Seal Kit 125, for Pump #s 17, 121, 122 1.25"
332068	\$262.00	Seal Kit 150 CW 1.5"
333483	\$769.00	Seal Kit 150 SW 1.5"

**Note:** Seals have been changed through the years, so check the dataplate on the pump or measure the seal diameter to make sure that you order the correct seal kit.

#### Pump Impellers

333992	\$160.00	2.5" Implr for pump #67-68
333997	\$160.00	3" Implr for pump #67-68
333995	\$160.00	3.4" Implr for pump #67-68
330282	\$162.00	2.75" Implr for pump #72
330069	\$162.00	3.5" Implr for pump #72
330283	\$162.00	3.75" Implr for pump #72
1038099	\$162.00	4" Implr for pump #72
330349	\$165.00	3.5" Implr for pump #78
330352	\$165.00	3.75" Implr for pump #78
330353	\$165.00	4" Implr for pump #78
332597	\$165.00	4.75" Implr for pump #78
335141	\$820.00	3.5" Implr for pump #17 SW/CW
334747	\$822.00	4.5" Implr for pump #17 SW/CW
334650	\$900.00	4.75" Implr for pump #121 SW/CW
1014000	\$950.00	5.12" Implr for pump #121 SW/CW

## **Chiller Components**

<b><u>Item No.</u></b>	<b><u>List Price</u></b>	<b><u>Description</u></b>
332025	\$130.00	Flow switch
333361	\$55.00	Reed switch for above flow switch
4024200	\$30.00	Screw-On Low Pressure Switch: R22, R407C, R417A (27psi)
4024300	\$30.00	Screw-On High Pressure Switch: R22, R407C, R417A (425psi)
332573	\$43.00	High pressure switch, braze-on - 425PSI low amperage
332572	\$38.00	Low pressure switch, braze-on - 30PSI low amperage
331532	\$9.20	48" Solenoid Plug
331530	\$53.00	24V Solenoid
331664	\$23.00	115V Solenoid
331531	\$23.00	220V Solenoid
4071502	\$23.00	Solenoid for 2004 RVS Valve 115V used on CHC##/1 built from Oct 2004
4071602	\$23.00	Solenoid for 2004 RVS Valve 230V used on CHC##/1 built from Oct 2004
291046502	\$34.00	Solenoid for RVS Valve with male spade, 115V for CHC built prior to Oct 2004
291046503	\$31.00	Solenoid for RVS Valve with male spade, 230V for CHC built prior to Oct 2004
334800	\$17.60	Molded wiring plug for Scroll compressors, 1-phase
334801	\$18.90	Molded wiring plug for Scroll compressors, 3-phase
331231	\$92.00	3 ton expansion valve
331232	\$92.00	4-7.5 ton expansion valve
332985	\$316.00	10-15 ton expansion valve
333582	\$138.00	2-3 ton reversing valve
333583	\$188.00	4-5 ton reversing valve
333584	\$221.00	6 ton reversing valve
332986	\$353.00	7.5-10 ton reversing valve
334449	\$510.00	12.5-15 ton reversing valve
330642	\$1.20	Cap, access w/o core
336420	\$1.20	Valve, access core
336880	\$2.50	Valve, access body

## **Chiller Controls, Pump Relay Elect. Parts**

263600170	\$570.00	CWMC Field Replacement Kit with new rev H board and mounting plate
4220003	\$535.00	CWMC circuit board, new rev H (this replaces part number 334618)
4220002	\$540.00	DDC circuit board, new dual voltage 115/230V (replaces 333647 & 333576)
332516	\$1.10	62k ohm 1 watt resistor for DDC circuit board
335505	\$564.00	TWLC Replacement Circuit Board
tbd	\$375.00	TWLC Keypad/Display Marine Air
331217	\$815.00	Hydromatic Display
291880197	\$3,560.00	Hydromatic Circuit Board, 4S, CL, 115V
291880001	\$1,865.00	Hydromatic Circuit Board, 2S, RC, 230V
291880194	\$1,695.00	Hydromatic Circuit Board, 2S, CL, 230V
291880000	\$1,960.00	Hydromatic Circuit Board, 3-5S, RC,230V
291880195	\$1,960.00	Hydromatic Circuit Board, 3-5S, CL, 230V
291880192	\$1,960.00	Hydromatic Circuit Board, 3-5S, EH, 230V
265100160	\$42.00	Hydronics Air Sensor Cable 7'
331769	\$523.00	Honeywell 2-stage controller
331771	\$1,130.00	Honeywell 4-stage controller
333016	\$160.00	Honeywell replacement sensor (supply/return)
332846	\$126.00	Hour meter
332707	\$197.00	Transformer, multi-primary/24VAC secondary, 150VA
332501	\$123.00	Transformer, 380VAC primary/240VAC secondary
331847	\$12.10	Rocker switch w/ dash and circle
333708	\$12.70	Rocker switch used with CHC DDC, 10A SPDT
360590	\$9.20	On/off switch, use with Honeywell only, no marks
332056	\$27.00	Relay, one per stage, smallest
331855	\$53.00	Relay for use with socket, 3-5 stage Honeywell rev. cyc.

### **Chiller Controls, Pump Relay Elect. Parts - Continued**

<b>Item No.</b>	<b>List Price</b>	<b>Description</b>
331856	\$50.00	Socket for use with relay above
331641	\$60.00	Relay, 2stage reverse cycle Honeywell only
263400005	\$216.00	Hi Limit - high-temperature safety switch, 24V (replaces 332241)
330014	\$108.00	Hi Limit - high-temperature safety switch, 220V (for MCP linevolt)
263400006	\$216.00	Freeze Stat - low-temperature safety switch, 24V (replaces 332242)
360518	\$129.00	Freeze Stat - low-temperature safety switch, 220V (for MCP linevolt)
263600579	\$81.00	Sensor for Goldline hi-limit & freeze stat
331039	\$92.00	Line-voltage aquastat
360555	\$17.50	Green indicator light, 28VAC
360550	\$16.70	Red indicator light, 28VAC (subject to availability)
331679	\$93.00	Time delay (delay on make, adjustable)
331442	\$5.50	1 amp fuse
334206	\$100.00	230VAC, fan (replaces 350030)
291622266	\$105.00	24VDC fan with rectifier assembly
224110090	\$203.00	2 PRP circuit board & thermal compound packet for retrofit
224110091	\$232.00	2-6 PRP circuit board & thermal compound packet for retrofit

### **Circuit Breakers**

333876	\$159.00	Circuit Breaker, 1ph, 3A, din rail
333595	\$159.00	Circuit Breaker, 1ph, 10A, din rail
333777	\$164.00	Circuit Breaker, 1ph, 16A, din rail
333778	\$170.00	Circuit Breaker, 1ph, 20A, din rail
333781	\$170.00	Circuit Breaker, 1ph, 25A, din rail
333797	\$172.00	Circuit Breaker, 1ph, 32A, din rail
333594	\$194.00	Circuit Breaker, 1ph, 40A, din rail
333626	\$211.00	Circuit Breaker, 1ph, 50A, din rail
333495	\$262.00	Circuit Breaker, 3ph, 6A, din rail
333472	\$273.00	Circuit Breaker, 3ph, 10A, din rail
333262	\$278.00	Circuit Breaker, 3ph, 16A, din rail
333261	\$284.00	Circuit Breaker, 3ph, 20A, din rail
333263	\$300.00	Circuit Breaker, 3ph, 25A, din rail
333332	\$307.00	Circuit Breaker, 3ph, 32A, din rail
333353	\$313.00	Circuit Breaker, 3ph, 40A, din rail
333264	\$347.00	Circuit Breaker, 3ph, 50A, din rail
334595	\$381.00	Circuit Breaker, 3ph, 63A, din rail

### **Contactors and Overloads**

330883	\$131.00	Contactors, 40amp, 1 / 3 phase, 24Vcoil
331551	\$109.00	Contactors, 40amp, 1 phase, 240V coil (DDC only)
332169	\$131.00	Contactors, 40amp, 3 phase, 240V coil
334605	\$161.00	Pump amps = 0.8-1.2
334570	\$161.00	Pump amps = 1.2-1.8
334173	\$161.00	Pump amps = 1.8-2.8
334174	\$161.00	Pump amps = 2.8-4
334170	\$161.00	Pump amps = 4-6
334171	\$160.00	Pump amps = 5.6-8
334172	\$318.00	Pump amps = 8-12
334868	\$318.00	Pump amps = 11-17
333451	\$160.00	Pump amps = 15-23

## Chiller Controls, Pump Relay Elect. Parts - Continued

### Capacitors, Start Relays

<u>Item No.</u>	<u>List Price</u>	<u>Description</u>
331721	\$91.00	Start Relay, 3ARR22*24
331717	\$87.00	Start Relay, 3ARR22*3P
331719	\$78.00	Start Relay, 3ARR22*3W*3N
331716	\$80.00	Start Relay, 3ARR3*3U
334166	\$67.00	Start Relay, GE 3ARR3CT3P5
362115	\$70.00	Start Relay, Mars 69
362110	\$26.00	Start Capacitor, 88-108microF/330V
331694	\$25.00	Start Capacitor, 145-175microF/250V
331733	\$56.00	Start Capacitor, 274-324microF/330V
335422	\$2.20	Bleed Resistor for Start Cap, 15K OHM 2 Watt
332126	\$31.00	Run Capacitor, 30mF/370V
330565	\$45.00	Run Capacitor, 45microF/370V
331520	\$53.00	Run Capacitor, 55microF/440V
4040160	\$40.00	Run Capacitor, 60microF/370V

### Hydromatic Display Cables (also Hydronics HZ, AH-MAXX, MAXX)

222140114	\$74.00	10' cable
222140115	\$59.00	15' cable
222140116	\$110.00	20' cable
222140125	\$126.00	25' cable
222140129	\$145.00	30' cable
222140130	\$177.00	40' cable
222140132	\$204.00	50' cable

### Hydromatic Service Sensors

330805	\$53.00	7' cable
331224	\$57.00	10' cable
333972	\$84.00	20' cable
330926	\$89.00	25' cable
213563	\$114.00	30' cable
330927	\$136.00	35' cable
330941	\$154.00	50' cable

**Note :** For Hydromatic water sensors, see sensors in the CWMC-OTS section.

### Gauges, Valves, Misc.

291613007	\$44.00	Bleeder Valve Asy, 48" w/small plastic ball valve
332225	\$24.00	Door stay spring
360586	\$97.00	Temperature dial gauge (for panel)
360610	\$74.00	Pressure dial gauge (for panel), SS casing *
334215	\$69.00	Pressure dial gauge, USG black casing
330482	\$39.00	1/2" Brass Ball Valve (NPT tprd fulprt) *

# CHILLER COMPACT WORKSHEET

<u>ITEM &amp; DESCRIPTION</u>	<u>SELECTION</u>	<u>QTY</u>	<u>LIST</u>	<u>EXT. LIST</u>
1. Chiller Compact Module:	_____	_____	_____	_____
2. Mounting Base:	_____	_____	_____	_____
Manifold Sets:	_____	_____	_____	_____
3. Pump Discharge Assembly:	_____	_____	_____	_____
4. DDC remote switch/harness:	_____	_____	_____	_____
DDC switch in lid option:	_____	_____	_____	_____
5. CW Pump or Pump Package:	_____	_____	_____	_____
6. Hose Bushings (4 per CHC):	_____	_____	_____	_____
7. Seawater Pump:	_____	_____	_____	_____
8. Pump Relay Panels:	_____	_____	_____	_____
9. Circulating Water Accessories:	_____	_____	_____	_____
	Backflow Preventer	_____	_____	_____
	Spirotop(s)	_____	_____	_____
	Spirovent	_____	_____	_____
	WYE Loop Strainer	_____	_____	_____
			TOTAL:	_____

1. Choose CHC module of appropriate capacity and voltage, DDC electric box is included.
2. Select base and manifolds if desired.
3. Order a pump discharge assembly to connect the pump package to the manifold.
4. DDC remote switch/harness, choose 1S for single stage, 2S for two stages, etc.  
If "switch in lid" option is chosen, add one per module. DDC remote switch/harness will not be needed.
5. Select the appropriate sized CW Pump Package. Call the applications dept. for assistance.  
Standard pump package includes pump, drain pan, fill assembly with regulator valve, 3" PVC expansion tank, pressure gauge, and hosebarbs.
6. Hose Bushings used to connect 1" or 3/4" hose directly to coils, order 4 per CHC.
7. Select the appropriate sized SW pump. Call the applications dept. for assistance.
8. A Pump Relay Panel (PRP) is definitely recommended but not absolutely necessary, order one per pump.
9. Choose accessories based on system size.  
Note: Do not use Spirovent with standard pump packack expansion tank. A standard bladder-type expansion tank must be used if a Spirovent is installed.

## MCW w/DCC WORKSHEET

<u>ITEM, SECTION &amp; DESCRIPTION</u>	<u>SELECTION</u>	<u>QTY</u>	<u>LIST</u>	<u>EXT. LIST</u>
1. DDC "Stand Alone" Module				
Deduct reversing valves if Cool Only chiller:				
Compressor Sound Blanket option:				
2. Base for mounting modules:				
Circulating Water (CW) Manifold Pair:				
Seawater (SW) Manifold Pair:				
Manifold Dual Feed option, 1 per mnfld pair:				
Vertical Manifold adder:				
3. DDC remote switch/harness:				
DDC switch in lid option:				
4. CWMC-OTS option:				
5. 380VAC transformers:				
6. Pressure/Temperature Gauge Panel or Box:				
7. Frequency Drives (compressor must be 3ph):				
Single phase soft start				
8. CW pump:				
9. SW pump:				
10. Pump Relay Panel (1 per pump):				
11. Circulating Water Accessories:				
	Fill Assembly			
	Backflow Preventer			
	Expansion Tank			
	Spirotop			
	Spirovent			
	CW 'Y' Strainer			
			TOTAL:	

- Choose a DDC "Stand Alone" module of appropriate capacity, voltage, and compressor type (recip or scroll). These modules come with the DDC electric box mounted on top. Must be 3-phase if using frequency drives. Deduct cost of reversing valves for cool-only chiller. Add cost for compressor sound blankets if desired.
- Select chiller base and manifolds. Add cost for dual feed or vertical manifolds.
- Select the number of DDC switches (1 per stage) - "1S" for 1 stage, "2S for 2-stages, etc. Or, add cost for DDC switch switch in lid if desired (DDC separate switches not needed).
- See CWMC-OTS section for pricing and options.
- If 230V is not available for the controls, add one transformer per module.
- Add pressure and/or temperature gauges for monitoring the system.
- Freq. Drives can be added to eliminate starting inrush. One per module. Compressor must be 3ph. Or, a single-phase soft start is available (3ton to 5ton sizes) which will reduce starting inrush.
- Select the proper size CW pump based on the total air handler capacity. See pump selection guide.
- Select the SW pump based on the number and size of chillers. See pump selection guide.
- 2 Pump relay panels (PRP) are required; one for CW and one for SW. 1ph and 3ph panels are available. If CWMC-OTS is used, then pump relays can be incorporated in the OTS box.
- Choose expansion tank, Spirovents, and 'Y' Strainer based on system size.

**MCW with Multi-Unit Panel (CWMC or TWLC)**

<u>ITEM, SECTION &amp; DESCRIPTION</u>	<u>SELECTION</u>	<u>QTY</u>	<u>LIST</u>	<u>EXT. LIST</u>
1. MCW Chiller Module	_____	_____	_____	_____
Deduct reversing valves if Cool Only chiller:	_____	_____	_____	_____
Compressor Sound Blanket option:	_____	_____	_____	_____
2. Base for mounting modules:	_____	_____	_____	_____
Circulating Water (CW) Manifold Pair:	_____	_____	_____	_____
Seawater (SW) Manifold Pair:	_____	_____	_____	_____
Manifold Dual Feed option, 1 per mnfld pair:	_____	_____	_____	_____
Vertical Manifold adder:	_____	_____	_____	_____
3. Multi-Unit CWMC/TWLC Panel:	_____	_____	_____	_____
380-460V Transformer:	_____	_____	_____	_____
Spare pump switch:	_____	_____	_____	_____
Dual Bus Feed:	_____	_____	_____	_____
4. Frequency Drives (compressor must be 3ph):	_____	_____	_____	_____
Single phase soft start	_____	_____	_____	_____
5. CW pump:	_____	_____	_____	_____
6. SW pump:	_____	_____	_____	_____
7. Circulating Water Accessories:	_____	_____	_____	_____
	Fill Assembly	_____	_____	_____
	Backflow Preventer	_____	_____	_____
	Expansion Tank	_____	_____	_____
	Spirotop	_____	_____	_____
	Spirovent	_____	_____	_____
	CW 'Y' Strainer	_____	_____	_____
			TOTAL:	_____

- Choose a MCW (non-DDC) module of appropriate capacity, voltage, and compressor type (recip or scroll).  
Module must be 3-phase if using frequency drives regardless of power supply.  
Deduct cost of reversing valves for cool-only chiller. Add cost for compressor sound blankets if desired.
- Select chiller base and manifolds. Add cost for dual feed or vertical manifolds.
- Select Multi-Unit panel (CWMC or TWLC) based on # of stages.  
If 230V isn't available for the controls, add 1 or 2 transformers as needed.  
Other options such as spare pump switch, and dual bus feed.
- Freq. Drives can be added to eliminate starting inrush. One per module. Compressor must be 3ph.  
Or, a single-phase soft start is available (3ton to 5ton sizes) which will reduce starting inrush.
- Select the proper size CW pump based on the total air handler capacity. See pump selection guide.
- Select the SW pump based on the number and size of chillers. See pump selection guide.
- Choose expansion tank, Spirovents, and 'Y' Strainer based on system size.

## AIR HANDLERS

### "AT" Air Handlers with Valve and "HV" Blower

<u>Item No.</u>	<u>List Price</u>	<u>Description</u>
261300005	\$900.00	AT4FZ 4"MR 230V
261300706	\$1,040.00	AT4FZ-FC, 4"MR, 230V
261300017	\$1,190.00	AT6HVZ 5"MR 230V
261300217	\$1,540.00	AT6HVZ-1KW 5"MR 230V
261300715	\$1,330.00	AT6HVZ-FC, 5"MR, 230V
261300716	\$1,680.00	AT6HVZ-FC-1KW, 5"MR, 230V
261300027	\$1,290.00	AT9HVZ 6"MR 230V
261300227	\$1,640.00	AT9HVZ-1.5KW 6"MR 230V
261300726	\$1,430.00	AT9HVZ-FC, 6"MR, 230V
261300727	\$1,780.00	AT9HVZ-FC-1.5KW, 6"MR, 230V
261300037	\$1,390.00	AT12HVZ 6"MR 230V
261300237	\$1,740.00	AT12HVZ-2KW 6"MR 230V
261300736	\$1,530.00	AT12HVZ-FC, 6"MR, 230V
261300737	\$1,880.00	AT12HVZ-FC-2KW, 6"MR, 230V
261300057	\$1,590.00	AT18HVZ 7"MR 230V
261300257	\$2,040.00	AT18HVZ-3KW 7"MR 230V
261300756	\$1,730.00	AT18HVZ-FC, 7"MR, 230V
261300757	\$2,180.00	AT18HVZ-FC-3KW, 7"MR, 230V
261300067	\$1,855.00	AT24HVZ 8"MR 230V
261300267	\$2,305.00	AT24HVZ-3KW 8"MR 230V
261300766	\$1,995.00	AT24HVZ-FC, 8"MR, 230V
261300767	\$2,445.00	AT24HVZ-FC-3KW, 8"MR, 230V
261300087	\$3,030.00	AT36HVZ 8"MR 230V
261300287	\$3,480.00	AT36HVZ-3KW 8"MR 230V
261300786	\$3,170.00	AT36HVZ-FC, 8"MR, 230V
261300787	\$3,620.00	AT36HVZ-FC-3KW, 8"MR, 230V

### "Whisper Cool" AT-DC Air Handlers

261300608	\$2,030.00	AT6DCZ-FC 5"MR 230V
261300601	\$2,380.00	AT6DCZ-FC-1KW 5"MR 230V
261300629	\$2,080.00	AT6DCZ-FC-COS L90 5"MR 230V
261300610	\$2,130.00	AT9DCZ-FC 6"MR 230V
261300602	\$2,480.00	AT9DCZ-FC-1KW 6"MR 230V
261300614	\$2,230.00	AT12DCZ-FC 6"MR 230V
261300613	\$2,630.00	AT12DCZ-FC-1KW L90 6"MR 230V
261300603	\$2,580.00	AT12DCZ-FC-2KW 6"MR 230V
261300628	\$2,280.00	AT12DCZ-FC-COS L90 6"MR 230V
261300616	\$2,480.00	AT18DCZ-FC 7"MR 230V
261300605	\$2,930.00	AT18DCZ-FC-3KW 7"MR 230V
261300623	\$2,980.00	AT18DCZ-FC-3KW R180 7"MR 230V
261300627	\$2,530.00	AT18DCZ-FC-COS L90 7"MR 230V
261300619	\$2,750.00	AT24DCZ-FC 8"MR 230V
261300606	\$3,250.00	AT24DCZ-FC-3KW 8"MR 230V
261300620	\$4,150.00	AT24DCZ-FC-3KW-MU 8"MR 230V
261300636	\$2,850.00	AT30DCZ-30FC 8"MR 230V
261300622	\$3,920.00	AT36DCZ-FC 8"MR 230V
261300630	\$4,370.00	AT36DCZ-FC-4KW 8"MR 230V

<b>AT</b>	<b>12</b>	<b>HV</b>	<b>Z</b>	<b>- FC</b>	<b>- COS</b>	<b>- 2KW</b>	<b>- L90</b>	<b>6"MR</b>
Air Handler Style	Capacity (BTU/hr x 1000)		Z = 230V Blank = 115V	Flow Control	COS = Change-Over Switch Installed	Electrical Heat		Duct Ring Size
	Blower "HV" = High-efficiency DC = DC Brushless Motor F = Shaded Pole (ext. motor)						Valve & Blower Orientation	

### **"AT" Air Handlers with Valve and Shaded-Pole Blower**

<b>Item No.</b>	<b>List Price</b>	<b>Description</b>
261300001	\$900.00	AT4F 4"MR 115V
261300005	\$900.00	AT4FZ 4"MR 230V
261300011	\$1,100.00	AT6F 5"MR 115V
261300015	\$1,100.00	AT6FZ 5"MR 230V
261300021	\$1,240.00	AT9F 6"MR 115V
261300025	\$1,240.00	AT9FZ 6"MR 230V
261300031	\$1,250.00	AT12F 6"MR 115V
261300035	\$1,250.00	AT12FZ 6"MR 230V
261300051	\$1,420.00	AT18F 7"MR 115V
261300055	\$1,420.00	AT18FZ 7"MR 230V

### **"AT" Air Handlers Shaded-Pole Blowers and No-Valve**

261300002	\$700.00	AT4F-NV 4"MR 115V
261300006	\$700.00	AT4FZ-NV 4"MR 230V
261300012	\$900.00	AT6F-NV 5"MR 115V
261300016	\$900.00	AT6FZ-NV 5"MR 230V
261300022	\$1,040.00	AT9F-NV 6"MR 115V
261300026	\$1,040.00	AT9FZ-NV 6"MR 230V
261300032	\$1,050.00	AT12F-NV 6"MR 115V
261300036	\$1,050.00	AT12FZ-NV 6"MR 230V
261300052	\$1,220.00	AT18F-NV 7"MR 115V
261300056	\$1,220.00	AT18FZ-NV 7"MR 230V

#### **Notes:**

Most AT units are available in 115V, at same pricing as 230V. Contact Dometic for part numbers.

DC models are 230V only.

Standard valve/blower configuration is left valve and horizontal blower - see drawing in back of book.

Add \$50 list for right-valve or factory rotated blower.

### **ATV "Vertical" Draw-Through Air Handlers**

261300521	\$1,580.00	ATV9HVZ-FC 6"MR VERT CONFIG
261300522	\$2,260.00	ATV9DCZ-FC 6"MR VERT CONFIG
261300520	\$2,370.00	ATV12DCZ-FC 6"MR VERT CONFIG
261300523	\$2,565.00	ATV12DCZ-FC 2KW 6"MR VERT CONFIG

### **ATL Draw-Through Air Handlers**

261300511	\$1,490.00	ATL16KZ, 230V, Flat Pan
261300512	\$1,630.00	ATL16KZ-FC, 230V, Flat Pan
261300514	\$1,530.00	ATL16KZ 4" OBLONG MR 230V, Flat Pan

#### **Notes :**

Electric Heat is available on the ATLs, ATVs, and ABLs.

Deeper, sloped pans are available on the ATLs.

### **AH-BT Blow-Through**

262300109	\$1,700.00	AH6BTZ HORZ LEFT 230V
262300187	\$2,050.00	AH6BTZ HORZ LEFT 1KW 230V
262300108	\$1,700.00	AH6BTZ HORZ RIGHT 230V
262300113	\$1,800.00	AH9BT HORZ LEFT 115V
262300115	\$1,800.00	AH9BTZ HORZ LEFT 230V
262300188	\$2,150.00	AH9BTZ HORZ LEFT 1KW 230V
262300114	\$1,800.00	AH9BTZ HORZ RIGHT 230V
262300215	\$1,900.00	AH9BTZ VERT LEFT 230V
262300117	\$1,800.00	AH9BTZ50 HORZ LEFT 240/50
262300116	\$1,800.00	AH9BTZ50 HORZ RIGHT 240/50
262300119	\$1,900.00	AH12BT HORZ LEFT 115V
262300121	\$1,900.00	AH12BTZ HORZ LEFT 230V

### **AH-BT Blow-Through (Continued)**

<b>Item No.</b>	<b>List Price</b>	<b>Description</b>
262300185	\$2,250.00	AH12BTZ HORZ LEFT 1KW 230V
262300120	\$1,900.00	AH12BTZ HORZ RIGHT 230V
262300123	\$1,900.00	AH12BTZ50 HORZ LEFT 240/50
262300244	\$2,000.00	AH12BTZ50-FC-HL 240/50
262300270	\$2,140.00	AH12BTZ50-FC-HR 240/50
262300125	\$2,000.00	AH16BT HORZ LEFT 115V
262300127	\$2,000.00	AH16BTZ HORZ LEFT 230V
262300189	\$2,350.00	AH16BTZ HORZ LEFT 1.5KW 230V
262300126	\$2,000.00	AH16BTZ HORZ RIGHT 230V
262300227	\$2,100.00	AH16BTZ VERT LEFT 230V
262300129	\$2,000.00	AH16BTZ50 HORZ LEFT 240/50
262300193	\$2,350.00	AH16BTZ50 HORZ LEFT 1KW 240/50
262300128	\$2,000.00	AH16BTZ50 HORZ RIGHT 240/50
262300133	\$2,100.00	AH18BTZ HORZ LEFT 230V
262300132	\$2,100.00	AH18BTZ HORZ RIGHT 230V
262300135	\$2,100.00	AH18BTZ50 HORZ LEFT 240/50
262300134	\$2,100.00	AH18BTZ50 HORZ RIGHT 240/50
262300243	\$2,340.00	AH18BTZ50-FC-HL 240/50
262300137	\$2,200.00	AH24BT HORZ LEFT 115V
262300139	\$2,200.00	AH24BTZ HORZ LEFT 230V
262300138	\$2,200.00	AH24BTZ HORZ RIGHT 230V
262300142	\$2,650.00	AH24BTZ HORZ RIGHT 3KW 230V
262300239	\$2,300.00	AH24BTZ VERT LEFT 230V
262300141	\$2,200.00	AH24BTZ50 HORZ LEFT 240/50
262300140	\$2,200.00	AH24BTZ50 HORZ RIGHT 240/50
262300241	\$2,300.00	AH24BTZ50 VERT LEFT 240/50
262300242	\$2,440.00	AH24BTZ50-FC-HL 240/50

#### **Notes:**

Most models are available in 115V and 230V, with optional flow control or electric heat.

Add \$375 list for 1kw or 1.5kw heater; add \$475 list for 2kw or 3kw heater.

### **Slim Line Air Handlers**

262000700	\$3,200.00	AH6SLLZ 230V
262000702	\$3,550.00	AH6SLLZ 1KW 230V
262000710	\$3,200.00	AH6SLLZ50 240/50
262000712	\$3,550.00	AH6SLLZ50 1KW 240/50
262000720	\$3,300.00	AH9SLLZ 230V
262000726	\$3,890.00	AH9SLLZ-FC-COS-1.5KW 230V
262000730	\$3,300.00	AH9SLLZ50 240/50
262000732	\$3,650.00	AH9SLLZ50 1KW 240/50
262000740	\$3,400.00	AH12SLLZ 230V
262000744	\$3,750.00	AH12SLLZ 1.5KW 230V
262000754	\$3,640.00	AH12SLLZ-FC-COS 230V
262000747	\$3,990.00	AH12SLLZ-FC-COS-1.5KW 230V
262000750	\$3,400.00	AH12SLL-Z50 240/50
262000752	\$3,750.00	AH12SLL-Z50 1KW 240/50
262000753	\$3,990.00	AH12SLL-Z50-FC-1KW 240/50
262000760	\$3,600.00	AH18SLLZ 230V
262000764	\$4,050.00	AH18SLLZ 3KW 230V
262000767	\$3,740.00	AH18SLLZ-FC-COS 230V
262000770	\$3,600.00	AH18SLLZ50 240/50
262000774	\$4,050.00	AH18SLLZ50 3KW 240/50
262000780	\$3,700.00	AH24SLLZ 230V
262000783	\$4,050.00	AH24SLLZ 1.5KW 230
262000787	\$3,840.00	AH24SLLZ-FC-COS 230V

### **Slim Line Air Handlers (Continued)**

<b>Item No.</b>	<b>List Price</b>	<b>Description</b>
262000781	\$4,290.00	AH24SLLZ-FC-COS-3KW 230V
262000790	\$3,700.00	AH24SLLZ50 240/50
262000791	\$4,050.00	AH24SLLZ50 1.5KW 240/50
262000792	\$4,150.00	AH24SLLZ50 3KW 240/50
262000800	\$4,900.00	AH30SLLZ 230V
262000803	\$5,040.00	AH30SLLZ-FC-COS 230V
262000810	\$4,900.00	AH30SLLZ50 240/50
262000812	\$5,350.00	AH30SLLZ50 4KW 240/50
262000820	\$5,090.00	AH36SLLZ 230V
262000822	\$5,350.00	AH36SLLZ-2KW 230V
262000823	\$5,140.00	AH36SLLZ-FC-COS 230V
262000830	\$5,000.00	AH36SLLZ50 240/50

#### **Notes:**

Standard unit can be mounted in vertical or horizontal configuration, plumbed on right or left side.

Most models are available in 115V and 230V, with optional flow control or electric heat.

Add \$375 list for 1kw or 1.5kw heater; add \$475 list for 2kw - 4kw heaters.

### **ABL Air Handlers**

262110006	\$5,425.00	ABL18DCZ-FC 2KW 230V
262110005	\$5,550.00	ABL18DCZ-FC 3KW 230V
262110001	\$4,900.00	ABL24DCZ-FC 230V
262110002	\$5,600.00	ABL24DC-FC 2KW 230V
262110004	\$5,600.00	ABL24DCZ-FC 3KW 230V
262110003	\$5,825.00	ABL24DCZ-FC 4KW 230V

### **Pilothouse Defrosters**

215200122	\$1,915.00	PHDCM-1.5 Defroster, 1.5kW, 115V 50/60Hz, no rings
215200103	\$1,915.00	PHDCM-1.5Z Defroster, 1.5kW, 230V 50/60Hz, no rings
215200125	\$1,915.00	PHDCM-1.5Z Defroster, 1.5kW, 230V 50/60Hz, 4x 4" rings
215200121	\$1,915.00	PHDCM-1.5Z Defroster, 1.5kW, 230V 50/60Hz, 5x 3" rings
Custom*	tbd	PHDCM(Z)-1.5 Defroster, 1.5KW, with Duct Rings*
223150010	\$257.00	CNPHD/Z, Control PHDCM(Z) Defroster / Fan / Off (M3010006.dwg)
235000108	\$91.00	FLTRASYPHD, Replacement filter w/frame for PHDCM 17.75W X 8.75T

\*Note: Customer must approve signoff drawing prior to production. See drawings at end of this guide.

### **Fresh Air Make-Up Air Handlers (with pulse-heat control)**

261300861	\$3,010.00	AT12HVZ-FC-1KW-MU, 230/50-60/1, 5" duct ring
260140197	\$3,120.00	AT18HVZ-1.5KW-MU, 230/50-60/1, 174cfm, 5" duct ring
260140198	\$3,120.00	AT18HVZ-1.5KW-MU208, 208/50-60/1, 174cfm, 5" duct ring
261300100	\$3,435.00	AT24HVZ-3KW-MU, 230/50-60/1, 276cfm, 6" duct ring
261300834	\$3,575.00	AT24HVZ-2KW-FC-MU208, 208/60/1, 276cfm, 8" duct ring
260140196	\$4,520.00	AT36HVZ-4KW-MU, 230/50-60/1, 550cfm, 8" duct ring

#### **Notes:**

230V units do not work on 208V and vice versa. Verify that item number is set up specifically for 208V or 230V.

All fresh air makeup units on this page include pulsing heat control and water valve.

## CABIN CONTROLS

### CW AH-Elite Kits

<u>Item No.</u>	<u>List Price</u>	<u>Description</u>
263400600	\$712.00	AH-ELITE, Grey, NO cable, 7' water sensor
263400601	\$734.00	AH-ELITE, Grey, 15' cable, 7' water sensor
263400607	\$734.00	AH-ELITE, Grey, 20' cable, 7' water sensor
263400609	\$734.00	AH-ELITE, White, 20' cable, 7' water sensor
263400604	\$741.00	AH-ELITE, Grey, 30' cable, 7' water sensor
263400605	\$687.00	AH-ELITE, Grey, 15' cable, PLUG, NO water sensor
263400606	\$712.00	AH-ELITE, Grey, 15' cable, 2-PLUGS, NO water sensor

### CW AH-Elite DC Kits - For 'WhisperQuiet' DC blowers

263400615	\$815.00	AH-ELITE DC, Grey Display, 15' cable, 7' water sensor
263400617	\$840.00	AH-ELITE DC, Grey Display, 30' cable, 7' water sensor
263400616	\$815.00	AH-ELITE DC, White Display, 15' cable, 7' water sensor
263400618	\$790.00	AH-ELITE DC, White Display, NO cable, 7' water sensor

**Note:** Bezels for Elite control shown on next page

### CW AH-Passport I/O Kits

263400702	\$685.00	AH-Passport I/O, Black, NO cable, 7' water sensor
263400703	\$685.00	AH-Passport I/O, White, NO cable, 7' water sensor
263400700	\$710.00	AH-Passport I/O, Black, 15' cable, 7' water sensor
263400701	\$710.00	AH-Passport I/O, White, 15' cable, 7' water sensor
263400706	\$710.00	AH-Passport I/O, Black, 20' cable, 7' water sensor
263400707	\$710.00	AH-Passport I/O, White, 20' cable, 7' water sensor
263400704	\$639.00	AH-Passport I/O, Black, 15' cable, NO water sensor
263400705	\$639.00	AH-Passport I/O, White, 15' cable, NO water sensor

### CW AH-Passport I/O DC Kits -For 'Whisper Cool' DC blowers

263400715	\$697.00	AH-Passport I/O DC, Black, 15' cable, 7' water sensor
263400716	\$697.00	AH-Passport I/O DC, White, 15' cable, 7' water sensor

**Note:** All Elite and Passport I/O kits above include circuit board in box and display, plus display cable and water sensor if shown. Order Alternate Air Sensor below for return air temp. control.

### Alternate (Return) Air Sensor

222102307	\$32.00	Alternate Air Sensor with 7' cable & clip, 6-pin
-----------	---------	--

### Outside Air Sensors

222102402	\$60.00	Outside Air Sensor w/ 7' cable, 6-pin
222102405	\$67.00	Outside Air Sensor w/ 15' cable, 6-pin
222140330	\$85.00	Outside Air Sensor w/ 30' cable, 6-pin
222102401	\$94.00	Outside Air Sensor w/ 40' cable, 6-pin

### Water Sensors (AH-Psprt, Elite, FX, MAXX, Hydronics HZ, Hydromatic)

331218	\$34.00	7' Water Sensor, 6-PIN
331438	\$44.00	10' Water Sensor, 6-PIN
331801	\$51.00	15' Water Sensor, 6-PIN
332008	\$62.00	25' Water Sensor, 6-PIN

### Display Cables (Elite, Passport I/O, FX)

331925	\$19.40	10' Display Cable, 8-pin
222103000	\$27.00	15' Display Cable, 8-pin
222103005	\$57.00	20' Display Cable, 8-pin
222103020	\$51.00	30' Display Cable, 8-pin
222103060	\$73.00	40' Display Cable, 8-pin

### **Elite Bezels**

<b>Item No.</b>	<b>List Price</b>	<b>Description</b>
335441	\$10.50	BEZEL POLY BLACK 4.84"X 3.23"
335442	\$11.60	BEZEL POLY IDEA WHITE 4.84"X 3.23"
335443	\$10.30	BEZEL POLY GRAPHITE GREY 4.84"X 3.23"
335440	\$49.00	BEZEL METAL POLISHED GOLD 4.84"X 3.23"
335444	\$47.00	BEZEL METAL BLACK CHROME 4.84"X 3.23"
335445	\$41.00	BEZEL METAL SLATE GREY 4.84"X 3.23"
335446	\$42.00	BEZEL METAL BRONZE 4.84"X 3.23"
335447	\$36.00	BEZEL METAL BLACK 4.84"X 3.23"
335448	\$36.00	BEZEL METAL IVORY 4.84"X 3.23"
335449	\$36.00	BEZEL METAL WHITE 4.84"X 3.23"
335511	\$11.60	BEZEL POLY CLASSICA IDEA WHITE 4.72X3.23
335512	\$11.60	BEZEL POLY CLASSICA GRAPHITE GREY 4.72X3
335513	\$31.00	BEZEL METAL CLASSICA WHITE 4.72X3.23
335514	\$47.00	BEZEL METAL CLASSICA POLISHED GOLD 4.72X
335516	\$31.00	BEZEL METAL CLASSICA BLACK 4.72X3.23

### **AH-Passport I/O & AH-Elite Retrofit Kits**

263400800	\$612.00	RETROFIT KIT, AH-PASSPORT TO AH-ELITE GRAY
263400802	\$590.00	RETROFIT KIT, AH-PASSPORT TO AH-PASSPORT I/O - BLACK
263400803	\$559.00	RETROFIT KIT, AH-PASSPORT TO AH-PASSPORT I/O - WHITE

#### **Notes:**

*Includes I/O control board and display. AH-Elite kit includes display retro-fit plate.  
Cables, air and water sensors from PASSPORT II system work with I/O system.*

### **AH-Passport I/O & AH-Elite Displays and Parts**

222000210	\$220.00	DISPLAY ONLY AH-ELITE GRAY	AH-Elite Gray Display
222000211	\$220.00	DISPLAY ONLY AH-ELITE WHITE	AH-Elite White Display
222000200	\$193.00	DISPLAY ONLY AH-PASSPORT I/O BLACK	AH-Passport I/O Black Display
222000201	\$193.00	DISPLAY ONLY AH-PASSPORT I/O WHITE	AH-Passport I/O White Display
222000202	\$193.00	DISPLAY ONLY AH-PASSPORT I/O SILVER	AH-Passport I/O Silver Display
228710002	\$8.50	AH-Passport I/O Soft Bulkhead Display Adapter, Black w/screws)	
263400608	\$476.00	AH-Passport Control: circuit board in box	
263400603	\$503.00	AH-Elite Control: circuit board in box	
263400610	\$430.00	AH-Elite Replacement Circuit Board	
263400602	\$430.00	AH-Passport I/O Replacement Circuit Board	
333787	\$2.70	Circuit Board Jumper for Press Switch	

### **Old Controls: AH-Passport Parts, FX, FX-MAXX**

263400505	\$476.00	AH-Passport Circuit Board in an Enclosure
263400502	\$410.00	AH-Passport Circuit Board only
263400505	\$476.00	AH-Passport Circuit Board in an Enclosure
222000100	\$318.00	AH-Passport Display Black
222000101	\$318.00	AH-Passport Display White
263400077	\$875.00	FX Kit with Black Display
333727	\$414.00	FX Circuit Board in a Chassis
333725	\$454.00	FX Display Black
333732	\$454.00	FX Display White
333728	\$454.00	FX-Maxx Display Black

**Note:** *Kit includes circuit board in box, display, 15' display cable, and 7' water sensor (no alt. air sensor)*

### **Line-Voltage Air Handler Controls**

263400007	\$471.00	3-knob Switch Assy, Black, Horz, 230V w/ COS
263400300	\$175.00	Fan Speed Control, 230V w/ off
263500300	\$170.00	Fan Speed Control, 115V w/ off

## REPLACEMENT PARTS

### Replacement Blower Assemblies

<u>Item No.</u>	<u>List Price</u>	<u>Description</u>
291617076	\$455.00	BLIN6KDT2, 6K: AH-DT2, AH-FDEBM, AT-HV, 115V
291617014	\$455.00	BLIN6KDT2Z, 6K: AH-DT2Z, AH-FDEBMZ, AT-HVZ, 230V
291617010	\$545.00	BLIN9KDT2, 9K: AH-DT2, AH-FDEBM, AT-HV, 115V
291617011	\$545.00	BLIN9KDT2Z, 9K: AH-DT2Z, AH-FDEBMZ, AT-HVZ
291617077	\$718.00	BLIN12KDT2, 12K: AH-DT2, AH-FDEBM, AT-HV
291617006	\$663.00	BLIN12KDT2Z, 12K: AH-DT2Z, AH-FDEBMZ, AT-HVZ
291617078	\$1,050.00	BLIN16/18KDT2, 16-24K: AH-DT2, AH-FDEBM, AT-HV
291617079	\$934.00	BLIN16/18KDT2Z, 16-24K: AH-DT2Z, AH-FDEBMZ, AT-HVZ
293042093	\$913.00	BLIN24KDT2, 24K: AH-DT2, AH-FDEBM, 115V
293042094	\$868.00	BLIN24KDT2Z, 24K: AH-DT2Z, AH-FDEBMZ, 230V
293042143	\$307.00	BLIN4FD, 4K: AH-FD, AT-F, 115V
293042086	\$327.00	BLIN4FDZ, 4K: AH-FDZ, AT-FZ, 230V
293042144	\$552.00	BLIN6FD, 6K: AH-FD, AT-F, 115V
293042088	\$273.00	BLIN6FDZ, 6K: AH-FDZ, AT-FZ, 230V
293042089	\$345.00	BLIN9/12FD, 9-12K: AH-FD, AT-F, 115V
293042090	\$423.00	BLIN9/12FDZ, 9-12K: AH-FDZ, AT-FZ, 230V
293042091	\$351.00	BLIN16/18FD, 16-18K: AH-FD, AT-F, 115V
293042092	\$396.00	BLIN16/18FDZ, 16-18K: AH-FDZ, AT-FZ, 230V
291620019	\$711.00	BLAY6-9BTZ, Blower Assembly AH6/9BTZ, 230V
291626199	\$1,125.00	BLAY12-24BT, Blower Assembly AH12-24BT, 115V
291626197	\$640.00	BLAY12-24BTZ, Blower Assembly AH12-24BTZ, 230V
291620021	\$1,255.00	BLAY12-24BTZ50, Blower Assembly AH12-24BTZ50, 240/50

**Note :** Includes insulated blower, inlet mounting ring, and capacitor. Duct ring not included.

### Blower Capacitors

4040003	\$6.50	3 mfd with spades for AT9HVZ 230V
4040004	\$6.30	4 mfd with spades for AT6,12,18,24HVZ 230V
4040008	\$8.90	8 mfd with spades for AT36HVZ
4040006	\$8.00	10 mfd with spades for AT9HV 115V
4040007	\$11.70	12 mfd with spades for AT6HV 115V
4040005	\$11.70	16 mfd with spades for AT12HV 115V
331103	\$17.90	CAP2MFD, 2 mfd Fan Run Capacitor
333345	\$17.90	CAP5MFD, 5 mfd Fan Run Capacitor
331027	\$28.00	CAP20MFD, 20 mfd Fan Run Capacitor

### Blower Duct (mount) Rings, plastic

See notes regarding HV units built prior to or after 8/04 (customer should verify if blower has a flange).

228701001	\$21.00	4MR-5K, 4" Duct Ring, ABS, 5K
228701002	\$23.00	5MR-5K, 5" Duct Ring, ABS, 5K - 5KHV
335884	\$13.70	5MR, 5" Duct Ring, ABS, 6K - 7K (see note 2)
291290011	\$16.40	5MR-7K-HV, 5" Duct Ring, ABS, 7K HV (see note 1)
335883	\$15.20	6MR, 6" Duct Ring, ABS, 9K - 10K - 12K (see note 2)
291617008	\$40.00	6MR-12K-HV, 6" Duct Ring, ABS, 10K - 12K HV (see note 1)
335882	\$40.00	7MR, 7" Duct Ring, ABS, 16K - 18K (see note 2)
228701031	\$40.00	7MR-16K-HV, 7" Duct Ring, ABS, 16K HV (see note 1)
228701030	\$40.00	7MR-24K, 7" Duct Ring, ABS, 24K
228701034	\$39.00	8MR, 8" Duct Ring, ABS, 16K - 18K (see note 2)
228701027	\$94.00	8MR-24K, 8" Duct Ring, ABS, 24K

**Note 1 :** For High Velocity units built prior to 8/04 (blower has no flange)

**Note 2 :** Includes High Velocity 6K-16K-HV units built after 8/04

## REPLACEMENT PARTS (Continued)

### Air Handler Valves

<u>Item No.</u>	<u>List Price</u>	<u>Description</u>
4210002	\$88.00	Actuator, Sinro (Plastic) 115V
335895	\$133.00	3-way valve, 1/2", Sinro (Plastic), 115V, for AT4-24
335808	\$323.00	3-way valve, 1", Erie, 230V, for AT36
332063	\$92.00	Motor Only for 3-way valve, 115V
332002	\$100.00	Motor Only for 3-way valve, 230V
331942	\$4.50	Rubber Boot for 3-way valve
335168	\$96.00	Power-Head, Erie Pop-Top, 115V
335169	\$112.00	Power-Head, Erie Pop-Top, 230V
291614007	\$233.00	3-way valve, 115V, Erie Pop-Top
291614008	\$302.00	3-way valve, 230V, Erie Pop-Top
291613004	\$40.00	36" Water Bleeder Valve Asy w/Nylon Tube & Straight Fitting
291613033	\$41.00	40" Water Bleeder Valve Asy w/Nylon Tube & Elbow Fitting
334083	\$67.00	COS, Changeover Switch
334084	\$17.60	SPRING, to hold COS
264000023	\$137.00	3-way valve, 230V, Sinro (Plastic)*

*\*Note : Actuator for 230V Sinro valve is NOT sold separately. Use part number 264000023 when replacing the 230V Sinro valve and actuator. Use the SAME part number when just replacing the actuator*

### Hose Barbs, Drain Fittings, Hose

361040	\$8.90	Brass Hose Barb, 1/2" MPT x 5/8" (16mm) HB
361080	\$10.70	Brass Hose Barb, 3/4" MPT x 3/4" (19mm) HB
361060	\$14.50	Brass Hose Barb, 1" MPT x 1" (25mm) HB
1054200	\$2.60	PVC Drain Fitting, 1/2" MPT x 5/8" Hose Barb
1054300	\$3.80	PVC 90° Drain Fitting, 1/2" MPT x 5/8" Hose Barb
1022310	\$2.90	Hose, White, 5/8" ID, per foot
1022312	\$5.60	Hose, White, 3/4" ID, per foot

### Aux. Heater Assemblies for AT's

264200021	\$416.00	Heater Assembly for AT air handlers, 1kW, 240V
264200022	\$416.00	Heater Assembly for AT air handlers, 1.5kW, 120V
264200023	\$416.00	Heater Assembly for AT air handlers, 1.5kW, 240V
264200024	\$416.00	Heater Assembly for AT air handlers, 2kW, 120V
264200025	\$416.00	Heater Assembly for AT air handlers, 2kW, 240V
264200026	\$520.00	Heater Assembly for AT air handlers, 3kW, 120V
264200027	\$520.00	Heater Assembly for AT air handlers, 3kW, 240V

### Aux. Heater Parts

4201200	\$67.00	Heat Element for AT's, rectangular, 1KW, 120V
4200700	\$67.00	Heat Element for AT's, rectangular, 1KW, 240V
4201100	\$80.00	Heat Element for AT's, rectangular, 1 5KW, 120V
4200800	\$80.00	Heat Element for AT's, rectangular, 1 5KW, 240V
4201000	\$88.00	Heat Element for AT's, rectangular, 2KW, 120V
4200900	\$88.00	Heat Element for AT's, rectangular, 2KW, 240V
335870	\$26.00	Overload Thermal, Auto-reset, 130F
335871	\$30.00	Overload Thermal, Man-reset, 160F
4120034	\$72.00	Overload Thermal, Man-reset, 240F
4120033	\$74.00	Overload Thermal, Man-reset, 300F
330924	\$23.00	SWTCH140DG, Switch, 140 Degree Temperature Limit
331002	\$14.90	THRMFUSE-1KW, Fusible link, 1KW Heaters and Smaller
331044	\$15.90	THRMFUSE-1.5KW, Fusible link, 1 5KW Heaters and Larger
330473	\$450.00	HTELM1KW, Heat Element, 1KW, 115V
360445	\$450.00	HTELM1KWZ, Heat Element, 1KW, 230V
331580	\$650.00	HTELM1.5KW, Heat Element, 1 5KW, 115V
331035	\$650.00	HTELM1.5KWZ, Heat Element, 1 5KW, 230V

## REPLACEMENT PARTS (Continued)

### Aux. Heater Parts (Continued)

<u>Item No.</u>	<u>List Price</u>	<u>Description</u>
264000019	\$500.00	CHL CHSR 1 0KW AH24FD/DT 230V 2001 & LATER
264200012	\$500.00	CHL CHSR 1 0KW AH6DT2Z 230V
264200014	\$500.00	CHL CHSR 1 0KW AH9-16DT2/FD 115V
264200010	\$500.00	CHL CHSR 1 0KW AH9-16DT2Z/FDZ 230V
264200011	\$500.00	CHL CHSR 1 5KW AH16-18DT2Z 240V
264100003	\$500.00	CHL CHSR 1.5KW AH24FD/DT 230V 2001 & LATER
297618006	\$860.00	CHL CHSR 1.5KW AH24FDZ/DTZ 2000 & EARLIER .
264100004	\$710.00	CHL CHSR 3.0KW AH24FD/DT 230V 2001 & LATER ..
297618001	\$1,175.00	CHL CHSR 3.0KW AH24FDZ/DTZ 230V 2000 & EARLIER

### Air Filters

235000525	\$5.40	Air Filter, black mesh, for AT4
235000526	\$5.40	Air Filter, black mesh, for AT6
235000527	\$5.40	Air Filter, black mesh, for AT9
235000528	\$5.70	Air Filter, black mesh, for AT12
235000529	\$7.80	Air Filter, black mesh, for AT18 & 18-MU
235000530	\$7.80	Air Filter, black mesh, for AT24 & 24-MU
235000531	\$11.20	Air Filter, black mesh, for AT36
235100063	\$23.00	Air Filter, black mesh, for AT36MU

### Micro-Particle Air Filters

235000625	\$22.00	Micro-Particle Air Filter, AT4, 8"W x 8"H
235000626	\$22.00	Micro-Particle Air Filter, AT6, 8.25"W x 8"H
235000627	\$22.00	Micro-Particle Air Filter, AT9, 10"W x 10"H
235000628	\$23.00	Micro-Particle Air Filter, AT12, 12"W X 10"H
235000629	\$42.00	Micro-Particle Air Filter, AT15-18, 13.5"W X 13"H
235000630	\$46.00	Micro-Particle Air Filter, AT24, 16"W X 15.5"H
235000631	\$52.00	Micro-Particle Air Filter, AT36, 18"W X 18"H

### Custom Micro-Particle filters

npn	\$36.00	Size: up to 175 sq in
npn	\$44.00	Size: 175-224 sq in
npn	\$56.00	Size: 225 to 400 sq in

Minimum custom filter order quantity = 5

### Replacement Filters for Draw Thru Air Handlers

235000051	\$18.40	FLTR 6DT2, Filter AH6DT2, 11" x 9" framed
235000052	\$24.00	FLTR 9/12DT2, Filter AH9-12DT2, 14.5" x 11" framed
235000053	\$28.00	FLTR 16DT2 , Filter AH16DT2, 14.5" x 14" framed
235000065	\$31.00	FLTR 18DT2, Filter AH18DT2, 16" x 14" framed
235000054	\$36.00	FLTR 24DT2, Filter AH24DT2, 17" x 15.75" framed

## **REPLACEMENT PARTS (Continued)**

### **Replacement Filters for Flex Duct Air Handlers**

<b><u>Item No.</u></b>	<b><u>List Price</u></b>	<b><u>Description</u></b>
235000012	\$17.20	FLTR 4FD, Filter Foam with Velcro for AH4FD
235000083	\$18.40	FLTR 6FD, Filter Foam with Velcro for AH6FD
235000084	\$23.00	FLTR 9/12FD, Filter Foam with Velcro for AH9-12FD
235000085	\$26.00	FLTR 16FD , Filter Foam with Velcro for AH16FD.
235000086	\$30.00	FLTR 18FD, Filter Foam with Velcro for AH18FD
235000087	\$34.00	FLTR 24FD, Filter Foam with Velcro for AH24FD

### **Replacement Filters for older Fresh Air Makeup Units**

235000053	\$28.00	FLTR HFA16, Filter Fresh Air Make Up 16,000
291600048	\$105.00	FLTR HFA55, Filter HFA55K, 19" x 21" framed

### **Replacement Filters for Slim Line units with Metal Framed Filters**

235100054	\$181.00	FLTR 6SL2, Filter AH6SL2, 8.75" x 19.875" framed
235100055	\$220.00	FLTR 9SL2, Filter AH9SL2, 8.75" x 23.875" framed
235100056	\$225.00	FLTR 12SL2, Filter AH12SL2, 8.75" x 31.875" framed
235100057	\$230.00	FLTR 18SL2, Filter AH18SL2, 8.75" x 37.875" framed
235100058	\$235.00	FLTR 24SL2, Filter AH24SL2, 8.75" x 43.875" framed
235100059	\$250.00	FLTR 30SL2, Filter AH30SL2, 8.75" x 54.875" framed
235100060	\$265.00	FLTR 36SL2, Filter AH36SL2, 8.75" x 61.875" framed

### **Replacement Filter for the Pilot House Defroster - Black Mesh with Frame**

235000108	\$91.00	FLTRASYPHD, Replacement filter w/frame for PHDCM 17.75W X 8.75T
-----------	---------	---

**R22 Compressor AMP Data used for sizing Frequency Drives\***  
**Contact the Dometic Applications Dept. for R407C AMP data.**

Model <sup>(1)</sup>		Electrical Data <sup>(2)</sup>								Compressor Data		Notes
Tons	Type	Volt/Hz/Ph	VOLT ONLY	FLA Cool	FLA RC	LRA	KVA Cool	KVA RC	MCC	Comp Ref #	Compressor Model Number	
2	Scroll	220/50/1	220	7.5	10.4	56.0	1.7	2.3	18.0	335462	ZR28K3-PFJ-130	
2	Scroll	220/50/3	220	8.1	9.3	70.0	3.1	3.5	15.0	334367	ZR30K3-TF5-130	
2	Scroll	230/60/1	230	7.2	9.8	59.0	1.7	2.3	18.5	334369	ZR24KC-PFV-130	
2	Scroll	230/60/1	230	7.2	9.8	59.0	1.7	2.3	18.5	3000125	ZR24K4-PFV-130	on units built after 3/23/07
2	Scroll	230/60/3	230	5.3	6.9	55.0	2.1	2.7	12.0	334374	ZR24K3-TF5-130	
2	Scroll	380/50/3	380	3.2	4.2	30.0	2.1	2.8	7.0	334366	ZR30K3-TFD-130	
2	Scroll	460/60/3	460	2.5	3.2	22.4	2.0	2.5	5.5	334811	ZR22K3-TFD-130	
2	Recip	220/50/1	220	9.6	11.8	65.0	2.1	2.6	19.5	335681	H23B28QABHA	
2	Recip	220/50/1	220	9.6	11.8	65.0	2.1	2.6	19.5	3018830	H29B28UABHA	on units built after 11/27/06
2	Recip	220/50/3	220	6.6	8.2	60.0	2.5	3.1	14.0	334848	703826-1000-00/CIP	
2	Recip	220/50/3	220	6.6	8.2	60.0	2.5	3.1	14.0	3018936	H29B28UDBLA	on units built after 10/30/06
2	Recip	230/60/1	230	8.2	10.9	66.0	1.9	2.5	20.2	334844	703818-1000-02/CIP	
2	Recip	230/60/3	230	6.0	7.4	48.0	2.4	2.9	13.0	334845	703893-1000-00/CIP	
2	Recip	380/50/3	380	3.2	4.1	30.0	2.1	2.7	7.5	334849	703830-1000-00/CIP	
2	Recip	380/50/3	380	3.2	4.1	30.0	2.1	2.7	7.5	3019036	H29B28UDBVA	on units built after 1/1/07
2	Recip	460/60/3	460	3.0	3.7	30.0	2.4	2.9	6.0	334846	703903-1000-01/CIP	
3	Scroll	220/50/1	220	11.1	15.2	97.0	2.4	3.3	24.0	335724	ZR42K3-PFJ-130	
3	Scroll	220/50/3	220	8.5	10.6	95.0	3.2	4.0	19.4	334813	ZR42K3-TF5-130	
3	Scroll	230/60/1	230	12.1	15.9	100.0	2.8	3.7	25.0	334296	ZR36KC-PFV-130	
3	Scroll	230/60/1	230	12.1	15.9	100.0	2.8	3.7	25.0	3000124	ZR36K3-PFV-130	on units built after 2/14/06
3	Scroll	230/60/3	230	7.6	9.7	77.0	3.0	3.9	16.0	334365	ZR36K3-TF5-130	
3	Scroll	380/50/3	380	4.4	5.5	41.0	2.9	3.6	10.0	334812	ZR42K3-TFD-130	
3	Scroll	460/60/3	460	3.8	4.9	39.0	3.0	3.9	8.0	334364	ZR36K3-TFD-130	
3	Recip	220/50/1	220	15.5	18.7	100.0	3.4	4.1	33.0	335683	703853-1000-03	
3	Recip	220/50/1	220	15.5	18.7	100.0	3.4	4.1	33.0	3018348	H23A46QABKA	on units built after 1/6/06
3	Recip	220/50/3	220	10.2	12.8	90.0	3.9	4.9	24.0	334854	703054-1000-02/CIP	
3	Recip	230/60/1	230	12.5	15.9	87.0	2.9	3.7	27.5	334850	703022-1000-03/CIP	
3	Recip	230/60/3	230	7.8	9.6	70.0	3.1	3.8	18.0	334852	703141-1000-01/CIP	
3	Recip	380/50/3	380	5.1	6.4	45.0	3.4	4.2	13.0	334853	703097-1000-02/CIP	
3	Recip	460/60/3	460	3.9	4.8	35.0	3.1	3.8	8.3	334851	703164-1000-00/CIP	
4	Scroll	220/50/1	220	15.4	21.7	150.0	3.4	4.8	40.0	335803	ZR61KC-PFZ-501	
4	Scroll	220/50/3	220	12.3	15.0	139.0	4.7	5.7	29.0	334808	ZR61KC-TF5-130	
4	Scroll	230/60/1	230	13.7	19.5	137.0	3.2	4.5	31.0	334360	ZR48K3-PFV-135	
4	Scroll	230/60/3	230	9.9	12.7	91.0	3.9	5.1	23.0	334806	ZR48KC-TF5-135	
4	Scroll	380/50/3	380	7.1	8.7	58.6	4.7	5.7	14.0	334807	ZR61KC-TFD-130	
4	Scroll	460/60/3	460	5.5	6.5	50.0	4.4	5.2	11.0	334805	ZR48KC-TFD-135	
4	Recip	220/50/3	220	12.3	15.1	106.0	4.7	5.8	25.0	334856	703029-1795-00/CIP	
4	Recip	230/60/1	230	17.1	21.4	118.0	3.9	4.9	36.4	334760	703025-1000-02	
4	Recip	230/60/3	230	10.0	12.6	90.0	4.0	5.0	24.0	334854	703054-1000-02/CIP	
4	Recip	380/50/3	380	5.9	7.2	53.0	3.9	4.7	12.5	334759	703030-1000-01/CIP	
4	Recip	460/60/3	460	5.0	6.3	45.0	4.0	5.0	13.0	334853	703097-1000-02/CIP	
5	Scroll	220/50/1	220	Use 230/60/3 Compressor w/Freq Drive						N/A	N/A	
5	Scroll	220/50/3	220	12.5	18.4	172.0	4.8	7.0	29.0	334809	ZR72KC-TF5-130	
5	Scroll	230/60/1	230	18.2	25.3	169.0	4.2	5.8	45.0	333228	ZB38KA-PFV-250	
5	Scroll	230/60/3	230	13.3	16.7	128.0	5.3	6.7	29.0	334808	ZR61KC-TF5-130	
5	Scroll	380/50/3	380	6.8	8.9	67.0	4.5	5.9	14.0	334810	ZR72KC-TFD-130	
5	Scroll	460/60/3	460	6.7	8.4	63.0	5.3	6.7	14.0	334807	ZR61KC-TFD-130	
5	Recip	230/60/1	230	22.8	28.1	178.0	5.2	6.5	47.0	334857	703037-1000-01/CIP	
5	Recip	230/60/3	230	14.0	17.0	124.0	5.6	6.8	32.0	334859	703038-1000-02/CIP	
5	Recip	460/60/3	460	7.0	8.5	62.0	5.6	6.8	16.0	334858	703039-1000-01/CIP	
6	Scroll	220/50/3	220	17.2	20.7	196.0	6.6	7.9	40.0	334819	ZR84KC-TF5-250	
6	Scroll	230/60/3	230	14.0	18.4	156.0	5.6	7.3	29.0	334809	ZR72KC-TF5-130	
6	Scroll	380/50/3	380	9.4	11.4	90.0	6.2	7.5	20.0	334818	ZR84KC-TFD-250	
6	Scroll	460/60/3	460	7.0	9.2	75.0	5.6	7.3	14.0	334810	ZR72KC-TFD-130	

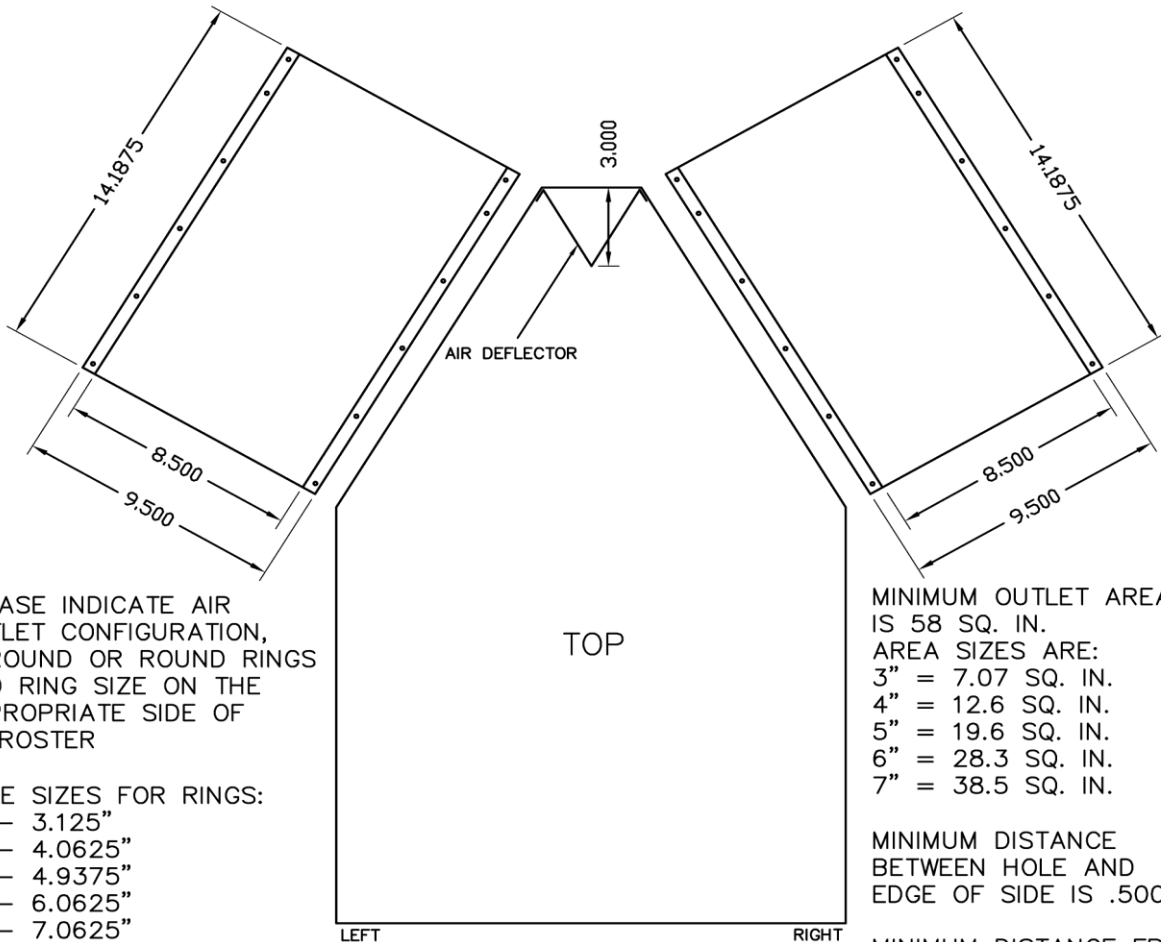
\* The above chart was copied from spec sheet L-2309

**MCW and SCW Chiller R-22 Compressor Electrical Specifications.**

See that sheet for additional notes and data concerning these compressors.

PROPRIETARY NOTE: THE INFORMATION CONTAINED WITHIN THIS DOCUMENT IS THE PROPERTY OF DOMETIC CORPORATION. ANY ATTEMPT TO COPY OR DISTRIBUTE WITHOUT WRITTEN CONSENT FROM DOMETIC CORPORATION SHALL BE CONSIDERED UNLAWFUL AND CAN BE CONTESTED IN A COURT OF LAW.

REV	DATE	REVISION DESCRIPTION	DWG	APR
A	4/16/02	UPDATE PROPRIETARY NOTE, ADD REV BLK, CAD225-02	DRR	JES
B	1/10/05	REMOVED MARINE AIR FROM TITLE BLOCK, CAD028-05	DRR	JES



PLEASE INDICATE AIR OUTLET CONFIGURATION, OBOURND OR ROUND RINGS AND RING SIZE ON THE APPROPRIATE SIDE OF DEFROSTER

HOLE SIZES FOR RINGS:

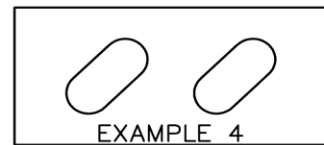
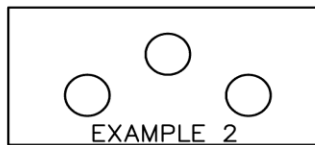
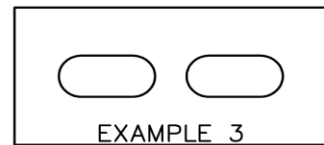
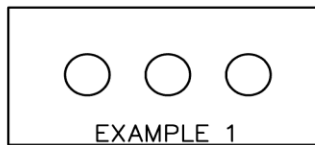
- 3" - 3.125"
- 4" - 4.0625"
- 5" - 4.9375"
- 6" - 6.0625"
- 7" - 7.0625"
- 5" OB - 6.375" X 2.250"
- 6" OB - 7.250" X 3.250"
- 7" OB - 9.0625" X 3.250"

MINIMUM OUTLET AREA IS 58 SQ. IN.

- AREA SIZES ARE:
- 3" = 7.07 SQ. IN.
- 4" = 12.6 SQ. IN.
- 5" = 19.6 SQ. IN.
- 6" = 28.3 SQ. IN.
- 7" = 38.5 SQ. IN.

MINIMUM DISTANCE BETWEEN HOLE AND EDGE OF SIDE IS .500"

MINIMUM DISTANCE FROM HOLE EDGE TO HOLE EDGE IS .250"



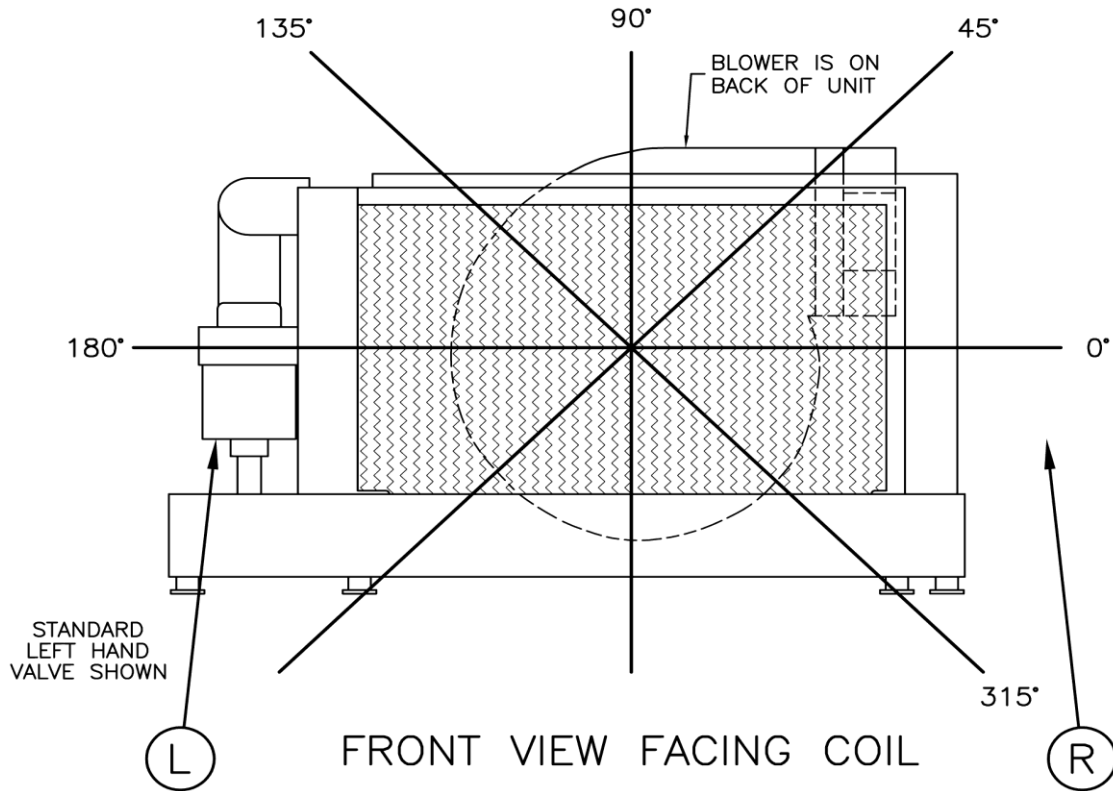
CUSTOMER SIGN OFF	
DATE:	_____
COMPANY NAME:	_____
YACHT MODEL:	_____
SIGNATURE:	_____
PRINT NAME:	_____

<b>Dometic Corporation</b>					
<b>PILOT HOUSE DEFROSTER - CUSTOMER SIGN OFF DUCTING RING LOCATIONS AND CONFIGURATION</b>					
DATE: 7-31-96	DWG BY: RMW	PART NUMBER: N/A	DWG	M3020030	REV B
SCALE: 1/8	APR BY: D D				

PROPRIETARY NOTE: THE INFORMATION CONTAINED WITHIN THIS DOCUMENT IS THE PROPERTY OF DOMETIC CORPORATION. ANY ATTEMPT TO COPY OR DISTRIBUTE WITHOUT WRITTEN CONSENT FROM DOMETIC CORPORATION SHALL BE CONSIDERED UNLAWFUL AND CAN BE CONTESTED IN A COURT OF LAW.

REV	DATE	REVISION DESCRIPTION	DWG	APR
B	4/16/02	UPDATE PROPRIETARY NOTE, ADD REV BLK, CAD226-02	DRR	JES
C	7/15/04	REMOVED 225° AND 270° REFERENCES, CAD474-04	DRR	JES
D	1/10/05	MAKE DRAWING GENERIC FOR MAS & CRUISAIR, CAD029-05	DRR	JES

Air Handler discharge location will be indicated by an angle. The valve location will be indicated by an 'R' or an 'L'. For example: AT9HVZ R135. The 'R' means that the valve is on the right as one faces the coil. The '135' means that the blower is rotated 135 degrees counterclockwise as one faces the coil. Note that standard Air Handlers are 'L0' - the valve is on the left, and the blower is at zero degrees or pointing right as one faces the coil (see diagram). 'L0' will not appear in descriptions because it is the standard, all other orientations get full description. "NO VALVE" units still use "R" or "L" to indicate location of connections.



CUSTOMER SIGN OFF	
DATE:	_____
COMPANY NAME:	_____
YACHT MODEL:	_____
SIGNATURE:	_____
PRINT NAME:	_____
VALVE:	ROTATION: _____

<b>Dometic Corporation</b>			
<b>CUSTOM AIR HANDLERS - CUSTOMER SIGN OFF BLOWER ROTATION ANGLE &amp; WATER VALVE LOCATION</b>			
DATE: 12/10/98	DWG BY: RMW	PART NUMBER: N/A	DWG H3050002
SCALE: 1/6	APR BY: E S		REV D

# PRODUCT CANCELLATION POLICY

Dometic Environmental manufactures a broad range of products that are made available to our extensive customer base in two distinct categories:

1. The majority of our sales volume is derived from products that are ordered on a consistent basis and therefore are placed into our Stocking Profile Matrix (SPM). These items are classified as Standard/Stock because we generally have multiple customers for like items and we produce these products on a continuous basis.
2. We also offer for sale, a wide variety of products that do not meet the criteria for SPM but we have established part numbers along with current pricing for them. These products are manufactured as the result of a specific customer's request and are only built to order. To distinguish between SPM products and these products, we classify them in our computer system as Active Special Order. So that we continue to meet the demands of all customers and stay flexible with our manufacturing mix, these products are only built to order.

In order to ensure that we make the best use of our resources, we find it necessary to establish a firm order cancellation policy and in some cases request a deposit before an order is started in manufacturing.

**Any product ordered that is categorized as “active special order” will be considered non-cancellable.** In addition, we **reserve the right to request a deposit on any order that contains items that are designated as “active special order”.** The status of all parts can be viewed on the E-Dometic website at anytime.

**How does this work? Once the order is acknowledged, a deposit is received (if requested) and the parts ordering/manufacturing process is started, these items are non-cancellable.**

An exception to the above is the process for Custom Wood Grilles and Custom Plenums. These items can be cancelled up to 5 business days prior to scheduled ship date.

Definitions:

- |    |                                  |  |
|----|----------------------------------|--|
| 1. | <b>Stocking Profile (A)</b>      | Products that are regularly sold and have activity at least 70% of the past 12 months or 100% of the past 3 months. (will show Active in the computer)   |
| 2. | <b>Active Saleable (A)</b>       | All items sold or used at least four out of the past twelve months.  |
| 3. | <b>Active Special Order (AS)</b> | All items sold or used less than four out of the past twelve months. Items being replaced or no longer used in production. Active Special Order is also specified as a product that only has one customer. |
| 4. | <b>Obsolete (K)</b>              | Items with no history in the past eighteen months.   |

All order confirmations clearly indicate if an item ordered is a special order. If you buy direct from Dometic you have access to our E-Dometic site that shows the status of all parts. If you purchase through a Dealer or Distributor please contact them in advance of placing your order if you are uncertain about the status of the part you are ordering and have them confirm status for you.

Revised 7/10/07





**Dometic Environmental Corporation**

2000 N. Andrews Ave. Ext. • Pompano Beach, FL 33069-1497 USA  
Phone: 954-973-2477 • Facsimile: 954-979-4414

For Sales and Service Calls Within Europe and the Middle East, please contact +44 (0) 870 330 6101

Website: [www.marineair.com](http://www.marineair.com) • Email: [sales@marineair.com](mailto:sales@marineair.com)