

# RadAir™

By  mabru



It's not a radar, **IT'S A RadAir™**

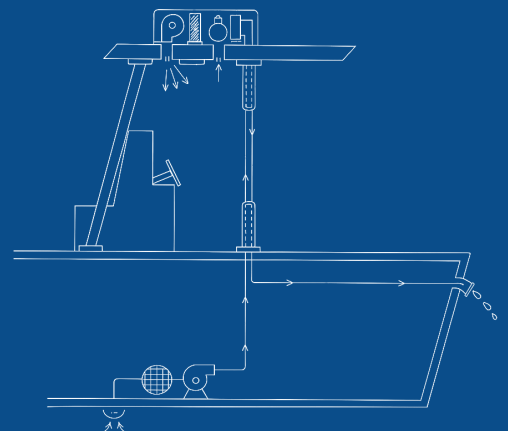
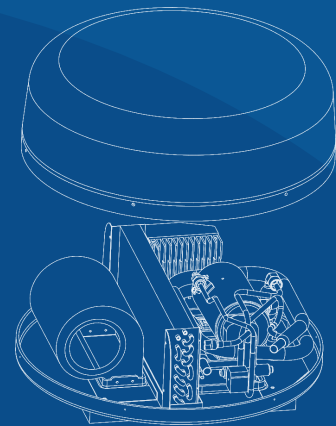
# 12V DC ROOFTOP MARINE AIR CONDITIONER

**RadAir™**  
By  **mabru**



## SPECIFICATIONS

Cooling Capacity (BTU/h)	12000
Heating Capacity (BTU/h)	12300
Power Source	12V DC
Cooling Amp Draw	22-44
Heating Amp Draw	28-48
Fan Blower (CFM) (Low/Med/High)	310/380/440
Refrigerant	R-134a
Minimum Return Air Grille Size (sq in) [sq cm]	48 [309.68]
Minimum Supply Air Grille Size (sq in) [sq cm]	48 [309.68]
Seawater Pipe Inside Diameter (in) [mm]	5/8 [15.88]
Unit Weight (lbs) [kg]	55 [24.95]
Unit Dimensions (Diameter x Height) (in) [mm]	23 x 8 [584.2 x 203.2]



All units come standard with a color touch display, display cable, backing plate and return temperature sensor.

1105 Old Griffin Rd. Dania Beach, FL 33004

MBR250922SSPDFP11

 **mabru**  
www.mabrumarine.com